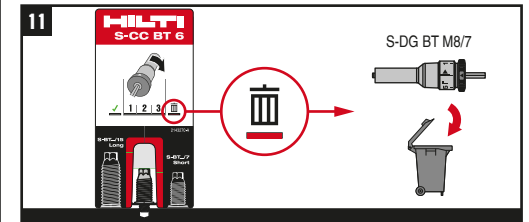
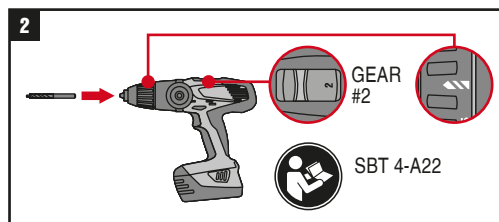
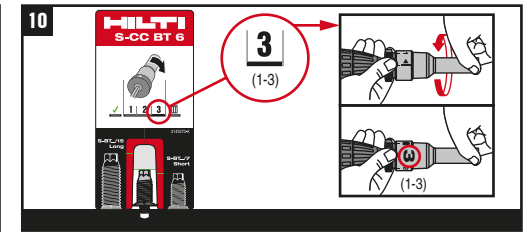
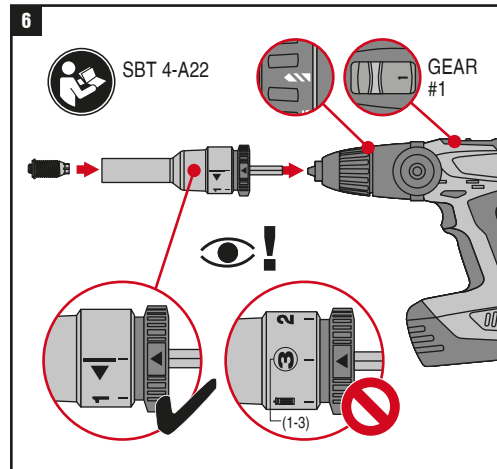
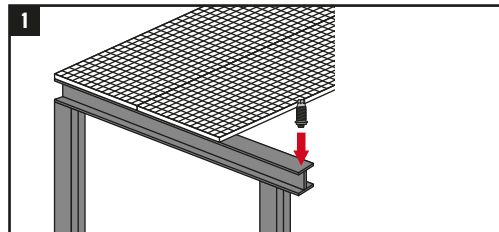
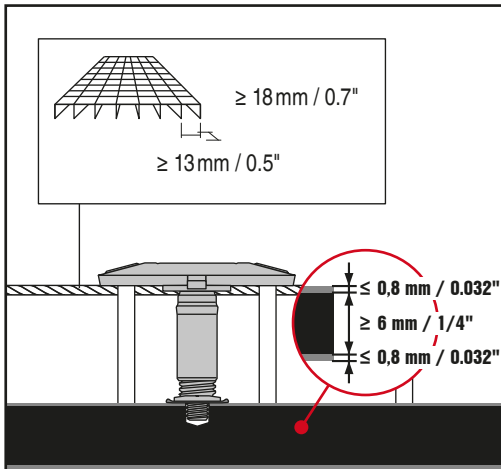
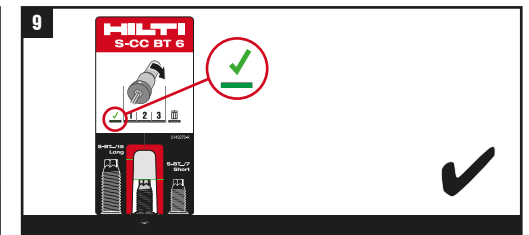
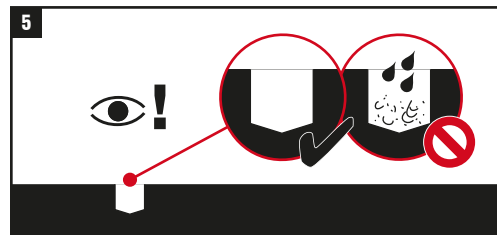
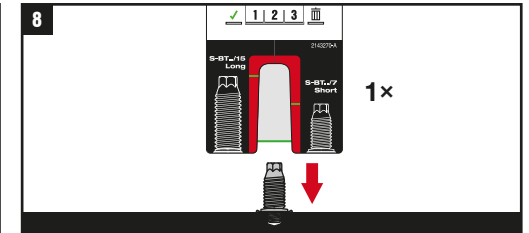
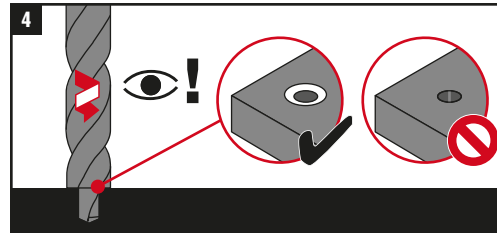


**A4
316** Equivalent Corrosion Resistance

0-1km

	SBT 4-A22		S-CS NG
	S-DG BT M8/7		S-CC BT 6
	S-BT GR NG M8/7		TS-BT 5.5-110 S
	Torque tool X-BT 1/4" 8Nm / 5.9 ft.lb		



X-FCM-R NG 28/33
X-FCM-R NG 32/37
X-FCM-R NG 38/43
X-FCM-R NG 48/53

Driver bit S-B HEX5 49/2

