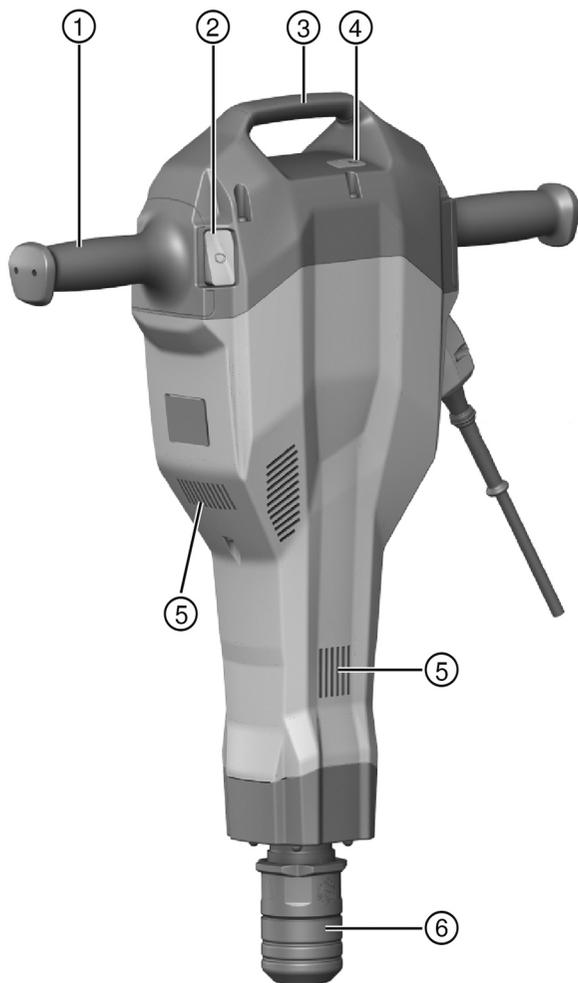




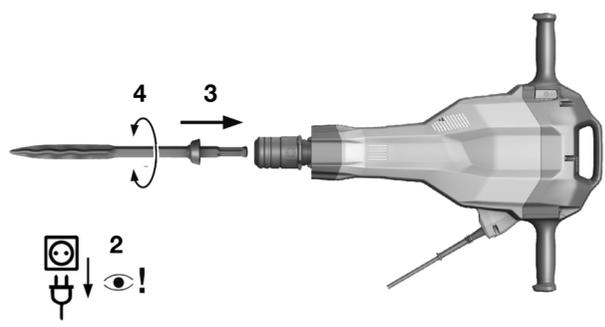
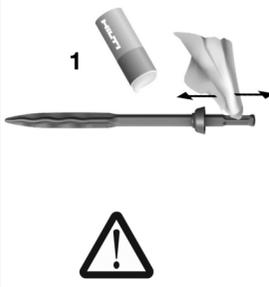
# TE 2000-AVR (01)

English	1
Français	9
Español	17
Português	27

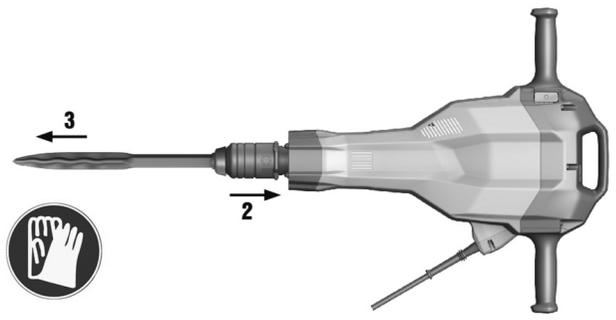
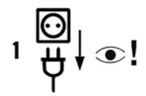




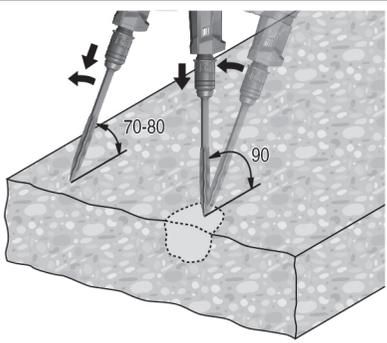
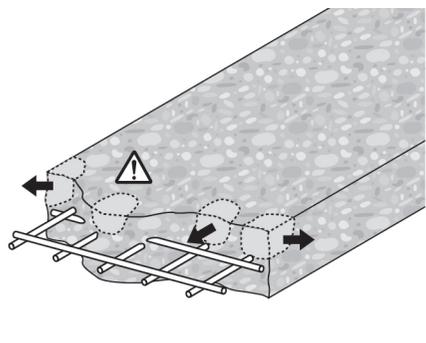
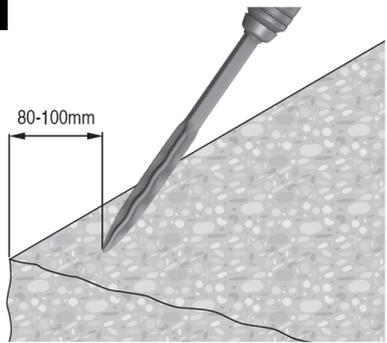
3



4



5



# TE 2000-AVR

en	Original operating instructions	1
fr	Mode d'emploi original	9
es	Manual de instrucciones original	17
pt	Manual de instruções original	27



# Original operating instructions

## 1 Information about the operating instructions

### 1.1 About these operating instructions

- **Warning!** Read and understand all accompanying documentation, including but not limited to instructions, safety warnings, illustrations, and specifications provided with this product. Familiarize yourself with all the instructions, safety warnings, illustrations, specifications, components, and functions of the product before use. Failure to do so may result in electric shock, fire, and/or serious injury. Save all warnings and instructions for future reference.
- products are designed for professional users and only trained, authorized personnel are permitted to operate, service and maintain the products. This personnel must be specifically informed about the possible hazards. The product and its ancillary equipment can present hazards if used incorrectly by untrained personnel or if used not in accordance with the intended use.
- The accompanying documentation corresponds to the current state of the art at the time of printing. Please always check for the latest version on the product's page on Hilti's website. To do this, follow the link or scan the QR code in this documentation, marked with the symbol
- Ensure that these operating instructions are with the product when it is given to other persons.

### 1.2 Explanation of symbols

#### 1.2.1 Warnings

Warnings alert persons to hazards that occur when handling or using the product. The following signal words are used:

**DANGER**

**DANGER !**

- ▶ Draws attention to imminent danger that will lead to serious personal injury or fatality.

**WARNING**

**WARNING !**

- ▶ Draws attention to a potential threat of danger that can lead to serious injury or fatality.

**CAUTION**

**CAUTION !**

- ▶ Draws attention to a potentially dangerous situation that could lead to personal injury or damage to the equipment or other property.

#### 1.2.2 Symbols in the operating instructions

The following symbols are used in these operating instructions:

	Comply with the operating instructions
	Instructions for use and other useful information
	Dealing with recyclable materials
	Do not dispose of electric equipment and batteries as household waste

#### 1.2.3 Symbols in illustrations

The following symbols are used in illustrations:

<b>2</b>	These numbers refer to the illustrations at the beginning of these operating instructions.
<b>3</b>	The numbers in illustrations refer to important work steps or to components important for the work steps. In the text, the corresponding numbers draw attention to these work steps or components, e.g. <b>(3)</b> .



	Item reference numbers are used in the <b>overview illustration</b> and refer to the numbers used in the key in the <b>product overview</b> section.
	This symbol is intended to draw your special attention to certain points for handling the product.

### 1.3 Product-dependent symbols

#### 1.3.1 Symbols on the product

The following symbols are used on the product:

	Protection class II (double-insulated)
	Service indicator

## 2 Safety

### 2.1 General power tool safety warnings

**⚠ WARNING** Read all safety warnings, instructions, illustrations and specifications provided with this power tool. Failure to follow all instructions listed below may result in electric shock, fire and/or serious injury. **Save all warnings and instructions for future reference.**

The term "power tool" in the warnings refers to your mains-operated (corded) power tool or battery-operated (cordless) power tool.

#### Work area safety

- ▶ **Keep work area clean and well lit.** Cluttered or dark areas invite accidents.
- ▶ **Do not operate power tools in explosive atmospheres, such as in the presence of flammable liquids, gases or dust.** Power tools create sparks which may ignite the dust or fumes.
- ▶ **Keep children and bystanders away while operating a power tool.** Distractions can cause you to lose control.

#### Electrical safety

- ▶ **Power tool plugs must match the outlet. Never modify the plug in any way. Do not use any adapter plugs with earthed (grounded) power tools.** Unmodified plugs and matching outlets will reduce risk of electric shock.
- ▶ **Avoid body contact with earthed or grounded surfaces, such as pipes, radiators, ranges and refrigerators.** There is an increased risk of electric shock if your body is earthed or grounded.
- ▶ **Do not expose power tools to rain or wet conditions.** Water entering a power tool will increase the risk of electric shock.
- ▶ **Do not abuse the cord. Never use the cord for carrying, pulling or unplugging the power tool. Keep cord away from heat, oil, sharp edges or moving parts.** Damaged or entangled cords increase the risk of electric shock.
- ▶ **When operating a power tool outdoors, use an extension cord suitable for outdoor use.** Use of a cord suitable for outdoor use reduces the risk of electric shock.
- ▶ **If operating a power tool in a damp location is unavoidable, use a residual current device (RCD) protected supply.** Use of an RCD reduces the risk of electric shock.

#### Personal safety

- ▶ **Stay alert, watch what you are doing and use common sense when operating a power tool. Do not use a power tool while you are tired or under the influence of drugs, alcohol or medication.** A moment of inattention while operating power tools may result in serious personal injury.
- ▶ **Use personal protective equipment. Always wear eye protection.** Protective equipment such as a dust mask, non-skid safety shoes, hard hat or hearing protection used for appropriate conditions will reduce personal injuries.
- ▶ **Prevent unintentional starting. Ensure the switch is in the off-position before connecting to power source and/or battery pack, picking up or carrying the tool.** Carrying power tools with your finger on the switch or energising power tools that have the switch on invites accidents.
- ▶ **Remove any adjusting key or wrench before turning the power tool on.** A wrench or a key left attached to a rotating part of the power tool may result in personal injury.
- ▶ **Do not overreach. Keep proper footing and balance at all times.** This enables better control of the power tool in unexpected situations.



- ▶ **Dress properly. Do not wear loose clothing or jewellery. Keep your hair and clothing away from moving parts.** Loose clothes, jewellery or long hair can be caught in moving parts.
- ▶ **If devices are provided for the connection of dust extraction and collection facilities, ensure these are connected and properly used.** Use of dust collection can reduce dust-related hazards.
- ▶ **Do not let familiarity gained from frequent use of tools allow you to become complacent and ignore tool safety principles.** A careless action can cause severe injury within a fraction of a second.

#### Power tool use and care

- ▶ **Do not force the power tool. Use the correct power tool for your application.** The correct power tool will do the job better and safer at the rate for which it was designed.
- ▶ **Do not use the power tool if the switch does not turn it on and off.** Any power tool that cannot be controlled with the switch is dangerous and must be repaired.
- ▶ **Disconnect the plug from the power source and/or remove the battery pack, if detachable, from the power tool before making any adjustments, changing accessories, or storing power tools.** Such preventive safety measures reduce the risk of starting the power tool accidentally.
- ▶ **Store idle power tools out of the reach of children and do not allow persons unfamiliar with the power tool or these instructions to operate the power tool.** Power tools are dangerous in the hands of untrained users.
- ▶ **Maintain power tools and accessories. Check for misalignment or binding of moving parts, breakage of parts and any other condition that may affect the power tool's operation. If damaged, have the power tool repaired before use.** Many accidents are caused by poorly maintained power tools.
- ▶ **Keep cutting tools sharp and clean.** Properly maintained cutting tools with sharp cutting edges are less likely to bind and are easier to control.
- ▶ **Use the power tool, accessories and tool bits etc. in accordance with these instructions, taking into account the working conditions and the work to be performed.** Use of the power tool for operations different from those intended could result in a hazardous situation.
- ▶ **Keep handles and grasping surfaces dry, clean and free from oil and grease.** Slippery handles and grasping surfaces do not allow for safe handling and control of the tool in unexpected situations.

#### Service

- ▶ **Have your power tool serviced by a qualified repair person using only identical replacement parts.** This will ensure that the safety of the power tool is maintained.

## 2.2 Hammer safety warnings

### Safety instructions for all operations

- ▶ **Wear ear protectors.** Exposure to noise can cause hearing loss.
- ▶ **Use auxiliary handle(s), if supplied with the tool.** Loss of control can cause personal injury.
- ▶ **Hold the power tool by insulated gripping surfaces, when performing an operation where the cutting accessory may contact hidden wiring or its own cord.** Cutting accessory contacting a "live" wire may make exposed metal parts of the power tool "live" and could give the operator an electric shock.

## 2.3 Additional safety instructions for breakers

### Personal safety

- ▶ Use the product and accessories only when they are in perfect working order.
- ▶ Never tamper with or modify the product or accessories in any way.
- ▶ When chiseling into ceilings, walls and floors, always make sure that you have a safe and firm stance. A sudden break-through can affect your balance!
- ▶ Apply appropriate safety measures at the opposite side of the workpiece in work that involves breaking through. Parts breaking away could fall out and / or fall down causing injury to other persons.
- ▶ You and any other persons in the vicinity must wear suitable eye protection, a hard hat, ear protection, protective gloves and respiratory protection while the tool is in use.
- ▶ Wear protective gloves when changing the accessory tool. Touching the accessory tool can result in cuts and burns.
- ▶ Wear eye protection. Flying fragments present a risk of injury to the body and eyes.



- ▶ Dust produced by grinding, sanding, cutting and drilling can contain dangerous chemicals. Some examples are: lead or lead-based paints; brick, concrete and other masonry products, natural stone and other products containing silicates; certain types of wood, such as oak, beech and chemically treated wood; asbestos or materials that contain asbestos. Determine the exposure of the operator and bystanders by means of the hazard classification of the materials to be worked. Implement the necessary measures to restrict exposure to a safe level, for example by the use of a dust collection system or by the wearing of suitable respiratory protection. The general measures for reducing exposure include:
  - ▶ working in an area that is well ventilated,
  - ▶ avoidance of prolonged contact with dust,
  - ▶ directing dust away from the face and body,
  - ▶ wearing protective clothing and washing exposed areas of the skin with water and soap.
- ▶ Take frequent breaks and do physical exercises to improve the blood circulation in your fingers. High vibration during long periods of work can lead to disorders of the blood vessels and nervous system in the fingers, hands and wrists.

### Electrical safety

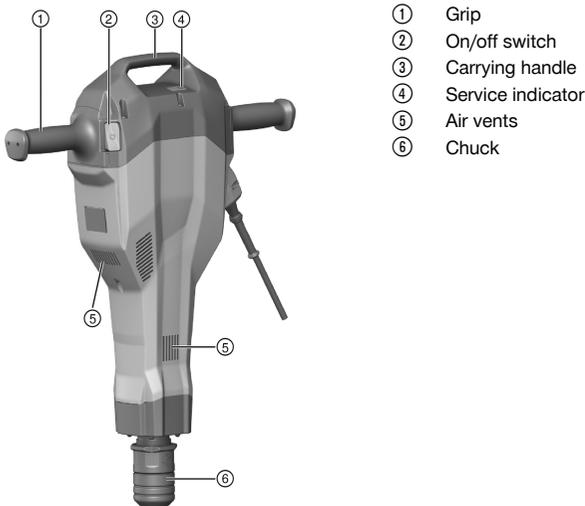
- ▶ Before beginning work, check the working area for concealed electric cables or gas and water pipes. External metal parts of the product could give you an electric shock or cause an explosion if you accidentally damage an electric cable or a gas or water pipe.

### Power tool use and care

- ▶ Switch the product on only after you have brought it to the working position.
- ▶ Wait until the product has come to a complete stop before you lay it down.

## 3 Description

### 3.1 Overview of the TE 2000-AVR 1



- ① Grip
- ② On/off switch
- ③ Carrying handle
- ④ Service indicator
- ⑤ Air vents
- ⑥ Chuck

### 3.2 Overview of the transport trolley 2

- ① Grip
- ② Locking bar
- ③ Holder for accessory tools (chisels)
- ④ Wheels
- ⑤ Wheel securing parts (washer, retaining pin)
- ⑥ Power tool locating pin

### 3.3 Intended use

The product described is a hand-held electric breaker. It is designed for chiseling work on concrete, masonry and asphalt. It can also be used for excavating and compacting.



The tool may be operated only when connected to a power supply providing a voltage and frequency in compliance with the information given on its rating plate.

### 3.4 Foreseeable misuse

- The power tool may be used only in a dry environment.
- Do not use the power tool where there is a risk of fire and explosion.
- Working with materials hazardous to health (e.g. asbestos) is not permissible.

### 3.5 Active Vibration Reduction

The tool is equipped with an Active Vibration Reduction (AVR) system which reduces vibration noticeably.

### 3.6 Service indicator

The breaker is equipped with a service indicator LED.

Status	Meaning
The service indicator lights red.	End of service interval – servicing is due. Return the product to <b>Hilti Service</b> for servicing in good time in order to ensure that it is always ready for use. A fault has occurred in the power tool.
The service indicator flashes red.	Protection against overheating The voltage provided by the electric supply is too high.

### 3.7 Items supplied

Electric breaker, operating instructions, grease. The transport trolley is available as an accessory.

You can find other system products approved for your product at your local **Hilti Center** or online at: [www.hilti.group](http://www.hilti.group)

## 4 Technical data

### 4.1 Breaker



For details of the rated voltage, current, frequency and/or input power, please refer to the power tool's country-specific type identification plate.

When powered by a generator or transformer, the generator or transformer's power output must be at least twice the rated input power shown on the rating plate of the power tool. The operating voltage of the transformer or generator must always be within +5% and -15% of the rated voltage of the power tool.

<b>Product generation</b>	01
<b>Weight</b>	14.5 kg
<b>Impact speed</b>	30 Hz
<b>Protection class</b>	II

#### 4.1.1 Using extension cords



#### WARNING

**A damaged supply cord presents a hazard!** Do not touch the supply cord or extension cord if damaged while working. Disconnect the supply cord plug from the power outlet.

- ▶ Check the appliance's supply cord at regular intervals and have it replaced by a qualified specialist if found to be damaged.
- Use only extension cords of a type approved for the application and with conductors of adequate gauge (cross section). The power tool may otherwise suffer a drop in performance and the extension cord may overheat.
- Check the extension cord for damage at regular intervals.



- Replace damaged extension cords.
- When working outdoors, use only extension cords that are approved and correspondingly marked for this application.

**Recommended minimum conductor cross-section and maximum power-cord length for 120V supply voltage**

Cord	AWG 16	AWG 14	AWG 12	AWG 10
Conductor cross-section	1,31 mm <sup>2</sup>	2,08 mm <sup>2</sup>	3,31 mm <sup>2</sup>	5,26 mm <sup>2</sup>
Conductor cross-section	2,58 kcmil	4,11 kcmil	6,53 kcmil	10,4 kcmil
Cord length	25 m	30 m	50 m	100 m
Cord length	75 ft	100 ft	150 ft	250 ft

## 5 Operation

### 5.1 Preparations at the workplace

#### CAUTION

**Risk of injury!** Inadvertent starting of the product.

- ▶ Unplug the supply cord before making adjustments to the power tool or before changing accessories.

Observe the safety instructions and warnings in this documentation and on the product.

#### 5.1.1 Fitting the accessory tool

1. Unplug the supply cord from the power outlet.
2. Lightly grease the connection end of the accessory tool.
  - ▶ Use only the recommended grease supplied by **Hilti**. Using the wrong grease can result in damage to the tool.
3. Push the accessory tool into the chuck as far as it will go, turning it and applying light pressure until it engages with an audible click.
4. Check that the chisel has engaged correctly by gripping and pulling it.

#### 5.1.2 Removing the accessory tool

#### CAUTION

**Risk of injury!** The accessory tool may be hot and/or have sharp edges.

- ▶ Wear protective gloves when changing the accessory tool.
- ▶ Never lay down a hot accessory tool on a flammable surface.

1. Unplug the supply cord from the power outlet.
2. Pull the tool lock back as far as it will go.
3. Remove the accessory tool.

### 5.2 Types of work

#### WARNING

**Risk of electric shock!** Severe injury and burns can result if any attempt is made to operate the tool without an earth/ground conductor and ground fault circuit interrupter correctly connected.

- ▶ Irrespective of whether mains power or generator power is used, always make sure that an earth/ground conductor and ground fault circuit interrupter are present in the power supply and that these are correctly connected.
- ▶ Do not use the product unless these safety measures are in place and fully operational.

#### WARNING

**A damaged supply cord presents a hazard!** Do not touch the supply cord or extension cord if damaged while working. Disconnect the supply cord plug from the power outlet.

- ▶ Check the appliance's supply cord at regular intervals and have it replaced by a qualified specialist if found to be damaged.



Full approval must be obtained from the site engineer or architect prior to beginning the work.

### 5.2.1 Chiseling

1. Plug the supply cord into the power outlet.
2. Position the tip of the chisel at the desired location.
3. Press the on/off switch.



Working at low temperatures:

The hammering mechanism works only when the power tool has reached a minimum operating temperature. Bring the chisel into contact with the workpiece and allow the power tool to run under no load until the required temperature is reached. If necessary, repeat this procedure until the hammering mechanism begins to operate.

### 5.2.2 Switching off

1. Press the on/off switch.
2. Unplug the supply cord from the power outlet.

### 5.2.3 Working with the power tool



The chisel can be adjusted to 6 different positions (in 60° increments). This ensures that flat chisels and shaped chisels can always be set to the optimum working position.

- ▶ Bring the chisel into contact with the workpiece about 80 -100 mm (3 1/8" - 4") from its edge.
- ▶ When working close to reinforcing bars, always guide the tip of the chisel toward the edge of the workpiece, not toward a reinforcing bar.
- ▶ Begin with the chisel positioned at an angle of 70° to 80° to the concrete surface, with the tip of the chisel pointing toward the edge of the workpiece. Break material away by subsequently increasing the angle to approx. 90° as the chisel penetrates.
- ▶ Rotate the chisel regularly to help ensure even wear and to promote the self-sharpening process.
- ▶ If inadequate pressure is applied, the chisel will jump around uncontrollably. Application of excessive pressure will result in a loss of chiseling performance.

## 6 Optional transport trolley

### 6.1 Transport

The transport trolley helps to ensure that the breaker can be transported safely.

- Take care to ensure that the transport trolley stands in a steady, secure position.
- Place the power tool on the locating pin provided on the transport trolley and always secure it for transport by closing the retaining bar.
- Push the chisels into the holders provided until they engage securely.
- Take care to use only safe transport routes.
- Do not park the transport trolley on an incline.

## 7 Care and maintenance



### WARNING

**Electric shock hazard!** Attempting care and maintenance with the supply cord connected to a power outlet can lead to severe injury and burns.

- ▶ Always unplug the supply cord before carrying out care and maintenance tasks.

### Care

- Carefully remove stubborn dirt from the tool.
- Clean the air vents carefully with a dry brush.
- Use only a slightly damp cloth to clean the casing. Do not use cleaning agents containing silicone as they can attack the plastic parts.



## Maintenance



### WARNING

**Danger of electric shock!** Improper repairs to electrical components may lead to serious injuries including burns.

- ▶ Repairs to the electrical section of the tool or appliance may be carried out only by trained electrical specialists.
- 
- Check all visible parts and controls for signs of damage at regular intervals and make sure that they all function correctly.
  - Do not operate the product if signs of damage are found or if parts malfunction. Have it repaired immediately by **Hilti Service**.
  - After cleaning and maintenance, fit all guards or protective devices and check that they function correctly.



To help ensure safe and reliable operation, use only genuine Hilti spare parts and consumables. Spare parts, consumables and accessories approved by Hilti for use with the product can be found at your local **Hilti Store** or online at: [www.hilti.group](http://www.hilti.group).

## 8 Troubleshooting

If the trouble you are experiencing is not listed in this table or you are unable to remedy the problem by yourself, please contact **Hilti Service**.

### 8.1 Troubleshooting table

Trouble or fault	Possible cause	Action to be taken
The power tool doesn't start.	Electronics initialization in progress (takes up to 4 seconds after plugging in).	▶ Switch the power tool off and on again.
	Interruption in the electric supply.	▶ Plug in another electric appliance and check whether it works.
	The supply cord or plug is defective.	▶ Have the parts checked by a trained electrical specialist and replaced if necessary.
	Generator with sleep mode	▶ Apply a load to the generator by connecting a second power consumer (e.g. worklight). Then switch the power tool on and off again.
No hammering action.	The power tool is too cold.	▶ Allow the power tool to warm up to the minimum operating temperature.
	A fault has occurred in the power tool.	▶ Have the power tool repaired by <b>Hilti Service</b> .
The power tool doesn't start or cuts out while in operation and the indicator flashes red.	Temporary fault (e.g. overheating or overvoltage).	▶ Switch off, allow the power tool to cool down or connect it to a different electric supply.
The power tool runs but the indicator lights red continuously.	Advance warning of need for servicing.	▶ Have the power tool serviced or repaired by <b>Hilti Service</b> .
The power tool doesn't start or cuts out while in operation.	The extension cord is too long and/or its gauge is inadequate.	▶ Use an extension cord of an approved length and/or of adequate gauge.

## 9 Disposal



Most of the materials from which **Hilti** tools and appliances are manufactured can be recycled. The materials must be correctly separated before they can be recycled. In many countries, your old tools,



machines or appliances can be returned to **Hilti** for recycling. Ask **Hilti** Service or your Hilti representative for further information.



- ▶ Do not dispose of power tools, electronic equipment or batteries as household waste!

## 10 Manufacturer's warranty

- ▶ Please contact your local **Hilti** representative if you have questions about the warranty conditions.

# Mode d'emploi original

## 1 Indications relatives au mode d'emploi

### 1.1 À propos de ce mode d'emploi

- **Avertissement !** Il convient de lire et comprendre toute la documentation jointe, y compris, sans s'y limiter, les instructions, avertissements de sécurité, illustration et spécifications fournies avec le présent produit. Prenez connaissance de toutes les instructions, avertissements de sécurité, illustrations, spécifications et fonctions du produit avant de l'utiliser. Tout manquement à cette obligation peut entraîner un choc électrique, un incendie, et/ou des blessures graves. Conservez l'ensemble des avertissements et instructions pour consultation ultérieure.
- Les produits sont destinés aux professionnels et ne doivent être utilisés, entretenus et réparés que par un personnel autorisé et formé. Ce personnel doit être spécialement instruit quant aux dangers inhérents à l'utilisation de l'appareil. Le produit et ses accessoires peuvent s'avérer dangereux s'ils sont utilisés de manière incorrecte par un personnel non qualifié ou de manière non conforme à l'usage prévu.
- La documentation ci-jointe correspond à l'état actuel de la technique à la date d'impression. Veuillez toujours consulter la dernière version sur la page du produit sur le site Internet de Hilti. Pour ce faire, suivez le lien ou scannez le code QR dans la documentation, indiqué par le symbole .
- Ne pas prêter ou céder le produit à un autre utilisateur sans lui fournir le présent mode d'emploi.

### 1.2 Explication des symboles

#### 1.2.1 Avertissements

Les avertissements attirent l'attention sur des dangers liés à l'utilisation du produit. Les termes de signalisation suivants sont utilisés :

#### DANGER

##### DANGER !

- ▶ Pour un danger imminent qui peut entraîner de graves blessures corporelles ou la mort.

#### AVERTISSEMENT

##### AVERTISSEMENT !

- ▶ Pour un danger potentiel qui peut entraîner de graves blessures corporelles ou la mort.

#### ATTENTION

##### ATTENTION !

- ▶ Pour une situation potentiellement dangereuse pouvant entraîner des blessures corporelles ou des dégâts matériels.

#### 1.2.2 Symboles dans le manuel d'utilisation

Les symboles suivants sont utilisés dans le présent manuel d'utilisation :



Respecter le manuel d'utilisation



Pour des conseils d'utilisation et autres informations utiles



	Maniement des matériaux recyclables
	Ne pas jeter les appareils électriques et les accus dans les ordures ménagères

### 1.2.3 Symboles dans les illustrations

Les symboles suivants sont utilisés dans les illustrations :

	Ces chiffres renvoient à l'illustration correspondante au début du présent manuel d'utilisation.
	La numérotation dans les illustrations indique les étapes de travail importantes ou les composants importants pour les étapes de travail. Dans le texte, ces étapes de travail ou composants sont mis en évidence avec les numéros correspondants, par ex. <b>(3)</b> .
	Les numéros de position sont utilisés dans l'illustration <b>Vue d'ensemble</b> et renvoient aux numéros des légendes dans la section <b>Vue d'ensemble du produit</b> .
	Ce signe doit inviter à manier le produit en faisant particulièrement attention.

## 1.3 Symboles spécifiques au produit

### 1.3.1 Symboles sur le produit

Les symboles suivants sont utilisés sur le produit :

	Classe de protection II (double isolation)
	Indicateur de maintenance

## 2 Sécurité

### 2.1 Indications générales de sécurité pour les appareils électriques

**⚠ AVERTISSEMENT Lire toutes les consignes de sécurité et instructions, illustrations et caractéristiques techniques, qui accompagnent cet outil électroportatif.** Tout manquement à l'observation des instructions suivantes risque de provoquer une électrocution, un incendie et/ou de graves blessures.

**Les consignes de sécurité et instructions doivent être intégralement conservées pour les utilisations futures.**

La notion d'« outil électroportatif » mentionnée dans les consignes de sécurité se rapporte à des outils électriques raccordés au secteur (avec câble d'alimentation) et à des outils électriques sur accus (sans câble d'alimentation).

#### Sécurité sur le lieu de travail

- ▶ **Conserver la zone de travail propre et bien éclairée.** Un lieu de travail en désordre ou mal éclairé augmente le risque d'accidents.
- ▶ **Ne pas faire fonctionner les outils électriques en atmosphère explosive et où se trouvent des liquides, des gaz ou poussières inflammables.** Les outils électriques produisent des étincelles qui peuvent enflammer les poussières ou les fumées.
- ▶ **Maintenir les enfants et les personnes présentes à l'écart pendant l'utilisation de l'outil électroportatif.** En cas d'inattention il y a un risque de perdre le contrôle de l'appareil.

#### Sécurité relative au système électrique

- ▶ **La fiche de secteur de l'outil électroportatif doit être adaptée à la prise de courant. Ne jamais modifier la fiche de quelque façon que ce soit. Ne pas utiliser d'adaptateurs avec des outils électriques à branchement de terre.** Des fiches non modifiées et des prises de courant adaptées réduiront le risque de choc électrique.
- ▶ **Éviter le contact physique avec des surfaces mises à la terre tels que tuyaux, radiateurs, cuisinières et réfrigérateurs.** Il y a un risque élevé de choc électrique au cas où votre corps serait relié à la terre.
- ▶ **Ne pas exposer les outils électroportatifs à la pluie ou à l'humidité.** La pénétration d'eau à l'intérieur d'un outil électroportatif augmentera le risque d'un choc électrique.
- ▶ **Ne jamais utiliser le câble de raccordement à d'autres fins que celles prévues, telles que pour porter, accrocher ou débrancher l'outil électroportatif de la prise de courant. Maintenir le câble de raccordement à l'écart de la chaleur, des parties grasses, des bords tranchants ou des parties**



**en mouvement.** Des câbles de raccordement endommagés ou emmêlés augmentent le risque de choc électrique.

- ▶ **Si l'outil électroportatif est utilisé à l'extérieur, utiliser uniquement des câbles de rallonge homologués pour les applications extérieures.** L'utilisation d'un câble de rallonge homologué pour les applications extérieures réduit le risque d'un choc électrique.
- ▶ **Si l'utilisation de l'outil électrique dans un environnement humide ne peut pas être évitée, utiliser un interrupteur de protection contre les courants de court-circuit.** L'utilisation d'un tel interrupteur de protection réduit le risque d'une décharge électrique.

### Sécurité des personnes

- ▶ **Rester vigilant, surveiller ce que l'on fait. Faire preuve de bon sens en utilisant l'outil électroportatif. Ne pas utiliser l'outil électroportatif en étant fatigué ou sous l'emprise de l'alcool, de drogues ou de médicaments.** Un moment d'inattention lors de l'utilisation de l'outil électroportatif peut entraîner des blessures graves.
- ▶ **Utiliser un équipement de protection personnel et toujours porter une protection pour les yeux.** Les équipements de protection personnels tels que masque antipoussière, chaussures de sécurité antidérapantes, casque de protection ou protection acoustique suivant l'utilisation de l'outil électroportatif, réduiront le risque de blessures des personnes.
- ▶ **Éviter une mise en service par mégarde. S'assurer que l'outil électroportatif est arrêté avant de le brancher à la source de courant et/ou à l'accu, de le prendre ou de le porter.** Le fait de porter l'outil électroportatif avec le doigt sur l'interrupteur ou de brancher l'appareil sur la source de courant lorsque l'interrupteur est en position de fonctionnement peut entraîner des accidents.
- ▶ **Retirer tout outil de réglage ou toute clé avant de mettre l'outil électroportatif en fonctionnement.** Une clé ou un outil se trouvant sur une partie en rotation peut causer des blessures.
- ▶ **Adopter une bonne posture. Veiller à toujours garder une position stable et équilibrée.** Cela permet un meilleur contrôle de l'outil électroportatif dans des situations inattendues.
- ▶ **S'habiller de manière adaptée. Ne pas porter de vêtements amples ni de bijoux. Garder les cheveux, les vêtements et les gants à distance des parties en mouvement.** Des vêtements amples, des bijoux ou des cheveux longs peuvent être happés par des parties en mouvement.
- ▶ **Si des dispositifs servant à aspirer ou à recueillir les poussières doivent être utilisés, s'assurer qu'ils sont effectivement raccordés et correctement utilisés.** L'utilisation d'un dispositif d'aspiration de la poussière peut réduire les risques dus aux poussières.
- ▶ **Ne pas sous-estimer les mesures de sécurité à prendre et ne pas ignorer sciemment les règles de sécurité applicables aux outils électriques, même si l'on est utilisateur chevronné après de fréquentes utilisations de l'outil électroportatif.** Un manque d'attention peut conduire à de graves blessures en quelques fractions de seconde.

### Utilisation et maniement de l'outil électroportatif

- ▶ **Ne pas forcer l'appareil. Utiliser l'outil électroportatif adapté au travail à effectuer.** Un outil électroportatif approprié réalisera mieux le travail et de manière plus sûre au régime pour lequel il a été conçu.
- ▶ **Ne pas utiliser d'outil électroportatif dont l'interrupteur est défectueux.** Tout outil électroportatif qui ne peut plus être mis en ou hors fonctionnement est dangereux et doit être réparé.
- ▶ **Débrancher la fiche de la prise de courant et/ou l'accu amovible avant d'effectuer des réglages sur l'appareil, de changer les accessoires, ou de ranger l'appareil.** Cette mesure de précaution empêche une mise en fonctionnement par mégarde de l'outil électroportatif.
- ▶ **Conserver les outils électroportatifs non utilisés hors de portée des enfants. Ne permettre l'utilisation de l'appareil à aucune personne qui ne soit pas familiarisée avec celui-ci ou qui n'a pas lu ces instructions.** Les outils électroportatifs sont dangereux lorsqu'ils sont entre les mains de personnes non initiées.
- ▶ **Prendre soin des outils électroportatifs et des accessoires. Vérifier que les parties en mouvement fonctionnent correctement et qu'elles ne sont pas coincées, et contrôler si des parties sont cassées ou endommagées de sorte que le bon fonctionnement de l'outil électroportatif s'en trouve entravé. Faire réparer les parties endommagées avant d'utiliser l'appareil.** De nombreux accidents sont dus à des outils électroportatifs mal entretenus.
- ▶ **Garder les outils de coupe affûtés et propres.** Des outils destinés à couper correctement entretenus avec des arêtes de coupe tranchantes sont moins susceptibles de bloquer et sont plus faciles à contrôler.
- ▶ **L'outil électroportatif, les accessoires, les outils amovibles, etc. doivent être utilisés conformément à ces instructions. Tenir également compte des conditions de travail et du travail à réaliser.** L'utilisation des outils électroportatifs à d'autres fins que celles prévues peut entraîner des situations dangereuses.



- ▶ **Veiller à ce que les poignées et surfaces de préhension soient toujours être sèches, propres et exemptes de traces de graisse ou d'huile.** Avec des poignées et surfaces de préhension glissantes, la sécurité et le contrôle de l'outil électroportatif ne peuvent être assurés dans des situations inopinées.

#### Service

- ▶ **L'outil électroportatif doit uniquement être réparé par un personnel qualifié, utilisant exclusivement des pièces de rechange d'origine.** Ceci permet d'assurer la sécurité de l'outil électroportatif.

## 2.2 Indications générales de sécurité applicables aux burineurs

### Consignes de sécurité pour tous les travaux

- ▶ **Porter un casque antibruit.** Le bruit peut entraîner des pertes auditives.
- ▶ **Utiliser la poignée supplémentaire livrée avec l'appareil.** La perte de contrôle peut entraîner des blessures.
- ▶ **Tenir l'appareil par les surfaces isolées des poignées lors des travaux pendant lesquels l'accessoire risque de toucher des câbles électriques cachés ou son propre câble d'alimentation réseau.** Le contact avec un câble sous tension risque de mettre les parties métalliques de l'appareil sous tension et de provoquer une décharge électrique.

## 2.3 Consignes de sécurité supplémentaires spécifiques au burineur

### Sécurité des personnes

- ▶ Utiliser le produit et les accessoires uniquement s'ils sont en parfait état.
- ▶ Ne jamais entreprendre de manipulation ni de modification sur le produit ou les accessoires.
- ▶ Lors du burinage de plafonds, de murs et de planchers, veiller à conserver une position sûre et stable. Une percée soudaine peut déséquilibrer l'opérateur !
- ▶ Lors de travaux d'ajourage, protéger l'espace du côté opposé aux travaux. Des morceaux de matériaux risquent d'être éjectés et / ou de tomber, et de blesser d'autres personnes.
- ▶ Lors de l'utilisation de l'appareil, l'utilisateur et toute personne se trouvant à proximité doivent porter des lunettes de protection adéquates, un casque de protection, un casque antibruit, des gants de protection et un masque respiratoire léger.
- ▶ Porter des gants de protection pour changer d'outil. Risque de blessures par coupure et de brûlures au contact avec l'outil amovible.
- ▶ Porter des lunettes de protection. Les éclats de matière peuvent entraîner des blessures corporelles et aux yeux.
- ▶ La poussière générée par le meulage, le ponçage, le tronçonnage et le forage peut contenir des produits chimiques dangereux. Par exemple : plomb ou peinture à base de plomb ; brique, béton et autres produits de maçonnerie, pierre naturelle et autres produits contenant des silicates ; certains bois, tels que le chêne, le hêtre et le bois traité chimiquement ; amiante ou matériaux contenant de l'amiante. Déterminer l'exposition de l'opérateur et personnes se trouvant dans l'entourage en fonction de la classe de danger des matériaux traités. Prendre les mesures nécessaires pour maintenir l'exposition à un niveau sûr, par exemple en utilisant un système de collecte des poussières ou en portant une protection respiratoire appropriée. Mesures générales visant à réduire l'exposition :
  - ▶ Travailler dans un endroit bien ventilé
  - ▶ Éviter le contact prolongé avec la poussière
  - ▶ Faire en sorte que la poussière soit dirigée loin du visage et du corps
  - ▶ Porter des vêtements de protection et laver les zones exposées à l'eau et au savon
- ▶ Faire régulièrement des pauses et des exercices pour favoriser l'irrigation sanguine dans les doigts. En cas de travaux prolongés, les fortes vibrations peuvent perturber la circulation dans les vaisseaux sanguins ou le système nerveux dans les doigts, les mains ou le poignet.

### Sécurité relative au système électrique

- ▶ Avant d'entamer le travail, vérifier qu'il n'y a pas de câbles ou gaines électriques, tuyaux de gaz ou d'eau cachés dans la zone d'intervention. Les parties métalliques externes du produit peuvent provoquer un choc électrique ou une explosion si vous endommagez une ligne électrique, une conduite de gaz ou une conduite d'eau.

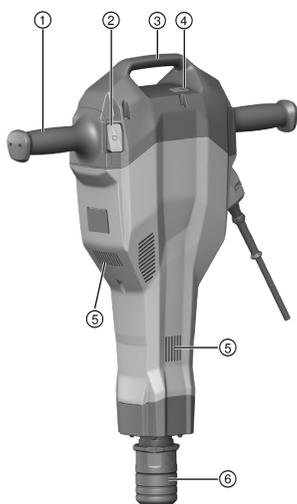
### Utilisation et emploi soigneux de l'outil électroportatif

- ▶ Ne mettez le produit en marche qu'après l'avoir mis en position de travail.
- ▶ Attendre l'arrêt complet du produit avant de le déposer.



### 3 Description

#### 3.1 Vue d'ensemble de TE 2000-AVR 1



- ① Poignée
- ② Interrupteur Marche / Arrêt
- ③ Poignée de manutention
- ④ Indicateur de maintenance
- ⑤ Ouies d'aération
- ⑥ Mandrin

#### 3.2 Vue d'ensemble – Chariot de transport 2

- ① Poignée
- ② Étrier de retenue
- ③ Support pour consommables (burin)
- ④ Roues
- ⑤ Fixation de sécurité de la roue (rondelle, goupille de retenue)
- ⑥ Mandrin porte-machine

#### 3.3 Utilisation conforme à l'usage prévu

Le produit décrit est un burineur à guidage manuel. Il est destiné aux travaux de burinage dans le béton, la maçonnerie et l'asphalte. Il peut aussi être utilisé pour le pilonnage et le creusement.

L'appareil ne doit fonctionner qu'avec la tension réseau et la fréquence réseau indiquées sur la plaque signalétique.

#### 3.4 Utilisation inappropriée prévisible

- L'appareil doit uniquement être utilisé dans un environnement sec.
- Ne pas utiliser l'appareil dans des endroits présentant un danger d'incendie et d'explosion.
- Ne pas travailler sur des matériaux susceptibles de nuire à la santé (par ex. amiante).

#### 3.5 Active Vibration Reduction

Ce produit est équipé d'un système Active Vibration Reduction (AVR) qui réduit sensiblement les vibrations.

#### 3.6 Indicateur de maintenance

Le burineur est doté d'un indicateur de maintenance avec signal lumineux.

État	Signification
L'indicateur de maintenance s'allume en rouge.	La durée de fonctionnement pour une maintenance est atteinte. Apporter le produit en temps voulu au S.A.V. <b>Hilti</b> afin d'assurer qu'il soit toujours opérationnel. Dommages sur l'appareil.



État	Signification
L'indicateur de maintenance clignote en rouge.	Protection contre les surchauffes La source d'alimentation électrique a une tension trop élevée.

### 3.7 Éléments livrés

Burineur, mode d'emploi, graisse. Le chariot de transport est proposé en option.

D'autres produits système autorisés pour votre produit peuvent être obtenus auprès du S.A.V. Hilti ou en ligne sous : [www.hilti.group](http://www.hilti.group)

## 4 Caractéristiques techniques

### 4.1 Burineur

Les données de tension nominale, courant nominal, fréquence et / ou consommation nominale figurent sur la plaque signalétique spécifique au pays.

En cas d'utilisation avec un groupe électrogène ou un transformateur, leur puissance d'alimentation doit être au moins égale au double de la puissance indiquée sur la plaque signalétique de l'appareil. La tension de service du groupe électrogène ou du transformateur doit être toujours comprise entre +5 % et -15 % par rapport à la tension nominale de l'appareil.

Génération de produit	01
Poids	14,5 kg
Cadence de percussion	30 Hz
Classe de protection	II

#### 4.1.1 Utilisation de câbles de rallonge

##### AVERTISSEMENT

**Danger engendré par un câble endommagé !** Si le câble d'alimentation réseau ou de rallonge est endommagé pendant le travail, ne pas le toucher. Débrancher la prise.

- ▶ Contrôler régulièrement les câbles de raccordement de l'appareil et les faire remplacer par un spécialiste s'ils sont endommagés.
- Utiliser uniquement des câbles de rallonge homologués pour le champ d'action correspondant et de section suffisante. Sinon, il peut y avoir une perte de puissance à proximité de l'appareil et une surchauffe du câble.
- Contrôler régulièrement si le câble de rallonge n'est pas endommagé.
- Remplacer les câbles de rallonge endommagés.
- À l'extérieur, n'utiliser que des câbles de rallonge homologués avec le marquage correspondant.

**Sections minimales recommandées et longueurs maximales de câbles avec une tension de secteur de 120 V**

Câble	AWG 16	AWG 14	AWG 12	AWG 10
Section du conducteur	1,31 mm <sup>2</sup>	2,08 mm <sup>2</sup>	3,31 mm <sup>2</sup>	5,26 mm <sup>2</sup>
Section du conducteur	2,58 kcmil	4,11 kcmil	6,53 kcmil	10,4 kcmil
Longueur de câble	25 m	30 m	50 m	100 m
Longueur de câble	75 ft	100 ft	150 ft	250 ft

## 5 Utilisation

### 5.1 Préparatifs

##### ATTENTION

**Risque de blessures !** Mise en marche inopinée du produit.

- ▶ Retirer la fiche de la prise avant d'effectuer des réglages sur l'appareil ou de changer les accessoires.



Bien respecter les consignes de sécurité et les avertissements de la présente documentation ainsi que celles figurant sur le produit.

### 5.1.1 Mise en place de l'outil amovible

1. Débrancher la fiche de la prise.
2. Graisser légèrement l'emmanchement de l'outil amovible.
  - ▶ Utiliser exclusivement de la graisse **Hilti** d'origine. Une graisse inadéquate peut provoquer des dommages sur l'appareil.
3. Emmancher l'outil amovible à fond dans le porte-outil et le tourner en appuyant légèrement jusqu'à ce qu'il s'encliquette de manière audible.
4. Vérifier que l'outil est bien serré dans le dispositif de verrouillage en tirant dessus.

### 5.1.2 Retrait de l'outil amovible

#### ATTENTION

**Risque de blessures !** L'outil amovible peut être brûlant et / ou présenter des arêtes vives.

- ▶ Porter des gants de protection pour changer d'outil amovible.
- ▶ Ne jamais déposer un outil amovible chaud sur un support inflammable.

1. Débrancher la fiche de la prise.
2. Retirer le dispositif de verrouillage de l'outil jusqu'à la butée.
3. Retirer l'outil amovible.

## 5.2 Travail

#### AVERTISSEMENT

**Risque d'électrocution !** L'absence de fil de terre et disjoncteur différentiel peut entraîner de graves blessures ou brûlures.

- ▶ Toujours vérifier sur le chantier que le câble d'alimentation électrique, provenant du secteur ou d'un générateur, est bien muni d'un fil de terre et d'un disjoncteur différentiel, et qu'il est effectivement bien raccordé.
- ▶ Ne pas utiliser ce produit si ces mesures de sécurité n'ont pas été prises.

#### AVERTISSEMENT

**Danger engendré par un câble endommagé !** Si le câble d'alimentation réseau ou de rallonge est endommagé pendant le travail, ne pas le toucher. Débrancher la prise.

- ▶ Contrôler régulièrement les câbles de raccordement de l'appareil et les faire remplacer par un spécialiste s'ils sont endommagés.

Faire confirmer l'ensemble des travaux par le maître d'œuvre !

### 5.2.1 Burinage

1. Brancher la fiche dans la prise.
2. Mettre le burin dans la position souhaitée.
3. Appuyer sur l'interrupteur Marche / Arrêt.



Travaux à basses températures :

L'appareil nécessite une température de service minimale pour que le mécanisme de frappe fonctionne. Pour ce faire, poser un instant l'appareil sur le matériau support et le laisser tourner à vide. Répéter cette étape, si nécessaire, jusqu'à ce que le mécanisme de frappe fonctionne.

### 5.2.2 Arrêt

1. Appuyer sur l'interrupteur Marche / Arrêt.
2. Débrancher la fiche de la prise.

### 5.2.3 Procédure de travail



Le burin peut être bloqué dans 6 positions différentes (tous les 60°). Ainsi, que ce soit pour le burinage plat ou profilé, il est toujours possible de travailler dans la position optimale.



- ▶ Poser le burin à environ 80 à 100 mm (3 1/8" - 4") du bord.
- ▶ En cas d'armatures métalliques, toujours guider le burin vers le bord du matériel, jamais contre les armatures métalliques.
- ▶ Débuter l'opération de burinage avec un angle de 70° à 80° par rapport à la surface du béton et orienter la pointe vers le bord. Redresser à 90° et enlever le matériau.
- ▶ Tourner le burin de manière régulière car une usure uniforme favorise le processus d'auto-affûtage.
- ▶ Si la pression d'appui est insuffisante, le burin risque de sortir de sa position. Si la pression d'appui est trop élevée, il y a diminution de la puissance de burinage.

## 6 Option Chariot de transport

---

### 6.1 Transport

Le chariot de transport permet de transporter sans danger le burineur.

- Veiller à la stabilité du chariot de transport.
- Poser l'appareil sur le mandrin porte-machine prévu à cet effet et veiller à ce qu'il soit toujours bloqué à l'aide de l'étrier de retenue pendant le transport.
- Introduire le burin dans le support prévu à cet effet jusqu'à la position d'encliquetage.
- Choisir un trajet de transport sûr.
- Ne pas disposer le chariot de transport sur une surface inclinée.

## 7 Nettoyage et entretien

---

### AVERTISSEMENT

**Danger d'électrocution !** Les travaux de nettoyage et d'entretien effectués avec fiche branchée à la prise peuvent entraîner de graves blessures ou brûlures.

- ▶ Toujours retirer la fiche de la prise avant tous travaux de nettoyage et d'entretien !
- 

### Nettoyage

- Éliminer prudemment les saletés récalcitrantes.
- Nettoyer les ouïes d'aération avec précaution au moyen d'une brosse sèche.
- Nettoyer le boîtier uniquement avec un chiffon légèrement humidifié. Ne pas utiliser de nettoyants à base de silicone, ceci pourrait attaquer les pièces en plastique.

### Entretien

### AVERTISSEMENT

**Risque d'électrocution !** Des réparations inappropriées sur des composants électriques peuvent entraîner de graves blessures corporelles et brûlures.

- ▶ Toute réparation des pièces électriques ne doit être effectuée que par un électricien qualifié.
  - Vérifier régulièrement qu'aucune pièce visible n'est endommagée et que les organes de commande sont parfaitement opérationnels.
  - En cas d'endommagements et/ou de dysfonctionnements, ne pas utiliser le produit. Le faire immédiatement réparer par le S.A.V. **Hilti**.
  - Après des travaux de nettoyage et d'entretien, vérifier si tous les équipements de protection sont bien en place et fonctionnent parfaitement.
- 

 Pour une utilisation en toute sécurité, utiliser uniquement des pièces de rechange et consommables d'origine. Vous trouverez les pièces de rechange, consommables et accessoires autorisés convenant pour votre produit dans le centre **Hilti Store** ou sous : [www.hilti.group](http://www.hilti.group).

---

## 8 Aide au dépannage

---

En cas de défaillances non énumérées dans ce tableau ou auxquelles il n'est pas possible de remédier sans aide, contacter le S.A.V. **Hilti**.



## 8.1 Tableau des défaillances

Défaillance	Causes possibles	Solution
L'appareil ne se met pas en marche	Initialisation de l'électronique en cours (attendre jusqu'à 4 secondes environ après le branchement de la fiche dans la prise)	▶ Arrêter et remettre l'appareil en marche.
	Alimentation par secteur interrompue	▶ Brancher un autre appareil électrique, contrôler la fonction.
	Câble d'alimentation réseau ou fiche défectueux	▶ Faire vérifier par un électricien et, si nécessaire, remplacer.
	Générateur en mode Veille	▶ Charger le générateur avec un second consommateur (p. ex. lampe de chantier). Ensuite, remettre l'appareil à l'arrêt et le remettre en marche.
Absence de percussion	Appareil trop froid	▶ L'appareil doit atteindre la température de service minimale.
	Appareil endommagé	▶ Faire réparer l'appareil par le S.A.V. <b>Hilti</b> .
L'appareil ne se met pas en marche ou s'arrête en cours de fonctionnement et l'indicateur clignote en rouge	Défaillance temporaire (par ex. surchauffe ou tension excessive)	▶ Arrêter l'appareil, le laisser refroidir et le brancher à une autre prise d'alimentation électrique.
L'appareil fonctionne mais l'indicateur est allumé en rouge en continu	Avertissement préalable d'entretien	▶ Confier les travaux d'entretien ou de réparation au S.A.V. <b>Hilti</b> .
L'appareil ne se met pas en marche ou s'arrête en cours de fonctionnement	Câble de rallonge trop long ou de section insuffisante	▶ Utiliser un câble de rallonge de longueur admissible et / ou de section suffisante.

## 9 Recyclage

Les appareils **Hilti** sont fabriqués pour une grande partie en matériaux recyclables. Le recyclage présuppose un tri adéquat des matériaux. **Hilti** reprend les appareils usagés dans de nombreux pays en vue de leur recyclage. Consulter le service clients **Hilti** ou un conseiller commercial.



- ▶ Ne pas jeter les appareils électriques, électroniques et accus dans les ordures ménagères !

## 10 Garantie constructeur

- ▶ En cas de questions sur les conditions de garantie, veuillez vous adresser à votre partenaire **Hilti** local.

# Manual de instrucciones original

## 1 Información sobre el manual de instrucciones

### 1.1 Acerca de este manual de instrucciones

- ¡**Atención!** Asegúrese de haber leído y entendido toda la documentación adjunta, incluidas, entre otras, las instrucciones, advertencias de seguridad, ilustraciones y especificaciones que se proporcionan con este producto. Familiarícese con todas las instrucciones, advertencias de seguridad, ilustraciones, especificaciones, componentes y funciones del producto antes de utilizarlo. De lo contrario, existe peligro de descarga eléctrica, incendio y/o lesiones graves. Conserve todas las advertencias e instrucciones para futuras consultas.
- Los productos **HILTI** han sido diseñados para usuarios profesionales y solo personal autorizado y debidamente formado puede utilizarlos y llevar a cabo su mantenimiento y conservación. Este personal



debe estar especialmente instruido en lo referente a los riesgos de uso. La utilización del producto y sus dispositivos auxiliares puede conllevar riesgos para el usuario en caso de manejarse de forma inadecuada por personal no cualificado o utilizarse para usos diferentes a los que están destinados.

- La documentación adjunta corresponde al estado actual de la técnica en el momento de la impresión. Compruebe siempre la última versión en la página del producto de la página web de Hilti. Para ello siga el enlace o escanee el código QR que figura en esta documentación y que se indica con el símbolo
- No entregue nunca el producto a otras personas sin este manual de instrucciones.

## 1.2 Explicación de símbolos

### 1.2.1 Avisos

Las advertencias de seguridad advierten de peligros derivados del manejo del producto. Se utilizan las siguientes palabras de peligro:

#### PELIGRO

##### PELIGRO !

- ▶ Término utilizado para un peligro inminente que puede ocasionar lesiones graves o incluso la muerte.

#### ADVERTENCIA

##### ADVERTENCIA !

- ▶ Término utilizado para un posible peligro que puede ocasionar lesiones graves o incluso la muerte.

#### PRECAUCIÓN

##### PRECAUCIÓN !

- ▶ Término utilizado para una posible situación peligrosa que puede ocasionar lesiones o daños materiales.

### 1.2.2 Símbolos en el manual de instrucciones

En este manual de instrucciones se utilizan los siguientes símbolos:

	Consulte el manual de instrucciones
	Indicaciones de uso y demás información de interés
	Manejo con materiales reutilizables
	No tire las herramientas eléctricas y las baterías junto con los desperdicios domésticos

### 1.2.3 Símbolos en las figuras

En las figuras se utilizan los siguientes símbolos:

	Estos números hacen referencia a la figura correspondiente incluida al principio de este manual de instrucciones.
	La numeración en las figuras hace referencia a pasos de trabajo importantes o componentes importantes para los pasos de trabajo. Estos pasos de trabajo o componentes se resaltan en el texto mediante los correspondientes números, p. ej., <b>(3)</b> .
	En la figura <b>Vista general</b> se utilizan números de posición y los números de la leyenda están explicados en el apartado <b>Vista general del producto</b> .
	Preste especial atención a este símbolo cuando utilice el producto.

## 1.3 Símbolos de productos

### 1.3.1 Símbolos en el producto

En el producto se utilizan los siguientes símbolos:

	Clase de protección II (aislamiento doble)
--	--





## 2 Seguridad

### 2.1 Indicaciones generales de seguridad para herramientas eléctricas

**⚠️ ADVERTENCIA** Lea con atención todas las indicaciones de seguridad, instrucciones, ilustraciones y datos técnicos correspondientes a esta herramienta eléctrica. La negligencia en el cumplimiento de las instrucciones que se describen a continuación podría provocar descargas eléctricas, incendios o lesiones graves.

**Conserve todas las instrucciones e indicaciones de seguridad para futuras consultas.**

El término «herramienta eléctrica» empleado en las indicaciones de seguridad se refiere a herramientas eléctricas portátiles, ya sea con cable de red o sin cable, en caso de ser accionadas por batería.

#### Seguridad en el puesto de trabajo

- ▶ **Mantenga su área de trabajo limpia y bien iluminada.** El desorden o una iluminación deficiente de las zonas de trabajo pueden provocar accidentes.
- ▶ **No utilice la herramienta eléctrica en un entorno con peligro de explosión en el que se encuentren líquidos, gases o polvos inflamables.** Las herramientas eléctricas producen chispas que pueden llegar a inflamar los materiales en polvo o vapores.
- ▶ **Mantenga alejados a los niños y otras personas de su puesto de trabajo al emplear la herramienta eléctrica.** Una distracción le puede hacer perder el control sobre la herramienta.

#### Seguridad eléctrica

- ▶ **El enchufe de la herramienta eléctrica debe corresponder a la toma de corriente utilizada. No se deberá modificar el enchufe en forma alguna. No utilice enchufes adaptadores para las herramientas eléctricas con puesta a tierra.** Los enchufes sin modificar adecuados a las respectivas tomas de corriente reducen el riesgo de descarga eléctrica.
- ▶ **Evite el contacto corporal con superficies que tengan puesta a tierra, como pueden ser tubos, calefacciones, cocinas y frigoríficos.** El riesgo a quedar expuesto a una sacudida eléctrica es mayor si su cuerpo tiene contacto con tierra.
- ▶ **No exponga las herramientas eléctricas a la lluvia y evite que penetren líquidos en su interior.** El riesgo de recibir descargas eléctricas aumenta si penetra agua en la herramienta eléctrica.
- ▶ **No utilice el cable de conexión para transportar o colgar la herramienta eléctrica ni tire de él para extraer el enchufe de la toma de corriente. Mantenga el cable de conexión alejado de fuentes de calor, aceite, aristas afiladas o piezas móviles.** Los cables de conexión dañados o enredados pueden provocar descargas eléctricas.
- ▶ **Cuando trabaje al aire libre con una herramienta eléctrica, utilice exclusivamente un alargador adecuado para exteriores.** La utilización de un alargador adecuado para su uso en exteriores evita el riesgo de una descarga eléctrica.
- ▶ **Cuando no pueda evitarse el uso de la herramienta eléctrica en un entorno húmedo, utilice un interruptor de corriente de defecto.** La utilización de un interruptor de corriente de defecto evita el riesgo de una descarga eléctrica.

#### Seguridad de las personas

- ▶ **Permanezca atento, preste atención durante el trabajo y utilice la herramienta eléctrica con prudencia. No utilice una herramienta eléctrica si está cansado, ni tampoco después de haber consumido alcohol, drogas o medicamentos.** Un momento de descuido al utilizar la herramienta eléctrica podría producir graves lesiones.
- ▶ **Utilice el equipo de seguridad personal adecuado y lleve siempre gafas protectoras.** El riesgo de lesiones se reduce considerablemente si, según el tipo y la aplicación de la herramienta eléctrica empleada, se utiliza un equipo de seguridad personal adecuado como una mascarilla antipolvo, zapatos de seguridad con suela antideslizante, casco de protección o protección para los oídos.
- ▶ **Evite una puesta en servicio fortuita de la herramienta. Asegúrese de que la herramienta eléctrica está apagada antes de alzarla, transportarla, conectarla a la toma de corriente o insertar la batería.** Si transporta la herramienta eléctrica sujetándola por el interruptor de conexión/desconexión o si introduce el enchufe en la toma de corriente con la herramienta conectada, podría producirse un accidente.
- ▶ **Retire las herramientas de ajuste o llaves fijas antes de conectar la herramienta eléctrica.** Una herramienta o llave colocada en una pieza giratoria puede producir lesiones al ponerse en funcionamiento.



- ▶ **Evite adoptar posturas forzadas. Procure que la postura sea estable y manténgase siempre en equilibrio.** De esta forma podrá controlar mejor la herramienta eléctrica en caso de presentarse una situación inesperada.
- ▶ **Utilice ropa adecuada. No utilice vestimenta amplia ni joyas. Mantenga su pelo, vestimenta y guantes alejados de las piezas móviles.** La vestimenta suelta, las joyas y el pelo largo se pueden enganchar con las piezas en movimiento.
- ▶ **Siempre que sea posible montar equipos de aspiración o captación de polvo, asegúrese de que están conectados y de que se utilizan correctamente.** El uso de un sistema de aspiración de polvo reduce los riesgos derivados del polvo.
- ▶ **No se crea a salvo de cualquier riesgo ni pase por alto ninguna de las normas de seguridad relativas a las herramientas eléctricas, aun cuando esté familiarizado con la herramienta eléctrica y tenga larga experiencia en su uso.** Una actuación negligente puede provocar lesiones graves en cuestión de segundos.

#### Uso y manejo de la herramienta eléctrica

- ▶ **No sobrecargue la herramienta. Utilice la herramienta eléctrica adecuada para el trabajo que se dispone a realizar.** Con la herramienta eléctrica apropiada podrá trabajar mejor y de modo más seguro dentro del margen de potencia indicado.
- ▶ **No utilice herramientas eléctricas con el interruptor defectuoso.** Las herramientas eléctricas que no se puedan conectar o desconectar son peligrosas y deben repararse.
- ▶ **Extraiga el enchufe de la toma de corriente o retire la batería extraíble antes de efectuar cualquier ajuste en la herramienta, cambiar accesorios o en caso de no utilizar la herramienta durante un tiempo prolongado.** Esta medida preventiva evita el riesgo de arranque accidental de la herramienta eléctrica.
- ▶ **Guarde las herramientas eléctricas que no utilice fuera del alcance de los niños. No permita utilizar la herramienta a ninguna persona que no esté familiarizada con ella o que no haya leído este manual de instrucciones.** Las herramientas eléctricas utilizadas por personas inexpertas son peligrosas.
- ▶ **Cuide su herramienta eléctrica y los accesorios adecuadamente. Compruebe si las piezas móviles de la herramienta funcionan correctamente y sin atascarse, y si existen piezas rotas o deterioradas que pudieran afectar al funcionamiento de la herramienta eléctrica. Encargue la reparación de las piezas defectuosas antes de usar la herramienta eléctrica.** Muchos accidentes son consecuencia de un mantenimiento inadecuado de la herramienta eléctrica.
- ▶ **Mantenga los útiles limpios y afilados.** Las herramientas de corte bien cuidadas y con aristas afiladas se atascan menos y se guían con más facilidad.
- ▶ **Utilice la herramienta eléctrica, los accesorios, útiles de inserción, etc., de acuerdo con estas instrucciones. Para ello, tenga en cuenta las condiciones de trabajo y la tarea que se va a realizar.** El uso de herramientas eléctricas para trabajos diferentes de aquellos para los que han sido concebidas puede resultar peligroso.
- ▶ **Mantenga las empuñaduras y las superficies de contacto secas, limpias y sin residuos de aceite o grasa.** Las empuñaduras y superficies de contacto resbaladizas impiden manejar y controlar la herramienta eléctrica con seguridad en situaciones imprevistas.

#### Servicio Técnico

- ▶ **Solicite que un profesional lleve a cabo la reparación de su herramienta eléctrica y que utilice exclusivamente piezas de repuesto originales.** Solamente así se garantiza la seguridad de la herramienta eléctrica.

## 2.2 Indicaciones de seguridad para martillos

### Indicaciones de seguridad para todos los trabajos

- ▶ **Utilice protección para los oídos.** El ruido constante puede reducir la capacidad auditiva.
- ▶ **Utilice las empuñaduras adicionales que se suministran con la herramienta.** La pérdida del control puede causar lesiones.
- ▶ **Sujete la herramienta por las empuñaduras aisladas cuando realice trabajos en los que el útil puede entrar en contacto con cables eléctricos ocultos o con el propio cable de la herramienta.** El contacto con los cables conductores puede traspasar la conductividad a las partes metálicas y producir descargas eléctricas.

## 2.3 Indicaciones de seguridad adicionales para el martillo rompedor

### Seguridad de las personas

- ▶ Utilice el producto y los accesorios solo si están en perfecto estado técnico.



- ▶ No efectúe nunca manipulaciones o modificaciones en el producto ni en los accesorios.
- ▶ Al cincelar techos, muros y suelos, mantenga siempre una posición segura y firme. De lo contrario, podría perder el equilibrio al traspasar el material repentinamente.
- ▶ Durante el proceso de taladrado, proteja la zona opuesta al lugar donde se realiza el trabajo, ya que pueden desprenderse cascotes y causar heridas a otras personas.
- ▶ Durante el uso, tanto usted como las personas que se encuentren en las inmediaciones deberán llevar gafas protectoras adecuadas, casco de protección, protección para los oídos, guantes de protección y una mascarilla ligera.
- ▶ Utilice guantes de protección para cambiar el útil. El contacto con el útil de inserción puede producir cortes y quemaduras.
- ▶ Utilice protección para los ojos. El material que sale disparado puede ocasionar lesiones en los ojos y en el cuerpo.
- ▶ El polvo que se genera al pulir, lijar, cortar y taladrar puede contener productos químicos peligrosos, como, por ejemplo, plomo o pinturas basadas en plomo; ladrillos, hormigón y otros productos de mampostería, piedra natural y otros productos que contengan silicatos; determinadas maderas, como el roble o el haya o las maderas tratadas químicamente, o amianto o materiales que contengan asbesto. La exposición del usuario y las personas circundantes debe regularse según la clase de peligro de los materiales con los que se trabaje. Tome las medidas necesarias para mantener la exposición a un nivel seguro, p. ej., mediante el uso de un sistema de recogida de polvo o una mascarilla adecuada. Las medidas genéricas para reducir la exposición son, entre otras:
  - ▶ trabajar en un espacio bien ventilado;
  - ▶ evitar el contacto prolongado con el polvo;
  - ▶ desviar el polvo de la cara y el cuerpo;
  - ▶ usar prendas protectoras y lavar con agua y jabón las zonas expuestas.
- ▶ Efectúe a menudo pausas y ejercicios para mejorar la circulación de los dedos. Tras muchas horas de trabajo expuesto a las vibraciones intensas, pueden surgir complicaciones en los vasos sanguíneos o en el sistema nervioso en dedos, manos o articulaciones de las manos.

#### **Seguridad eléctrica**

- ▶ Antes de empezar a trabajar, compruebe si la zona de trabajo oculta cables eléctricos, tuberías de gas o cañerías de agua. Las partes metálicas exteriores del producto pueden provocar una descarga eléctrica o una explosión si se daña un cable eléctrico, una tubería de gas o una cañería de agua.

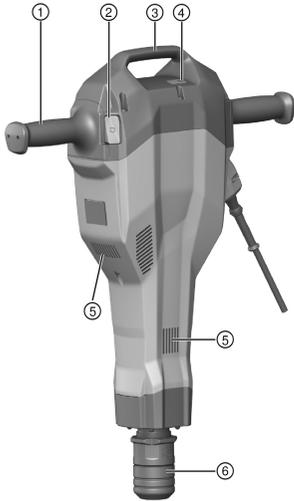
#### **Manipulación y utilización segura de las herramientas eléctricas**

- ▶ No conecte el producto hasta que este se encuentre en la posición de trabajo.
- ▶ Espere hasta que el producto se haya detenido antes de dejarlo en ninguna superficie.



### 3 Descripción

#### 3.1 Vista general del TE 2000-AVR 1



- ① Empuñadura
- ② Interruptor de conexión y desconexión
- ③ Asa de transporte
- ④ Indicador de funcionamiento
- ⑤ Rejillas de ventilación
- ⑥ Portaútiles

#### 3.2 Vista general del carro de transporte 2

- ① Empuñadura
- ② Estribo de bloqueo
- ③ Soporte para material de consumo (cinceles)
- ④ Ruedas
- ⑤ Seguro de rueda (arandela, chaveta)
- ⑥ Mandril portaherramienta

#### 3.3 Uso conforme a las prescripciones

El producto descrito es un martillo rompedor de guiado manual. Es adecuado para el cincelado de hormigón, mampostería y asfalto. También puede utilizarse para machacar y cavar.

Solo debe funcionar con la frecuencia y tensión de alimentación especificadas en la placa de identificación.

#### 3.4 Aplicación incorrecta previsible

- Utilice la herramienta únicamente en lugares secos.
- No utilice la herramienta en lugares donde exista peligro de incendio o explosión.
- No deben tratarse materiales nocivos para la salud (p. ej., amianto).

#### 3.5 Active Vibration Reduction

El producto está equipado con un sistema Active Vibration Reduction (AVR), que reduce considerablemente las vibraciones.

#### 3.6 Indicador de funcionamiento

El martillo rompedor incorpora un indicador de funcionamiento con señal luminosa.

Estado	Significado
El indicador de funcionamiento se ilumina en rojo.	Se ha alcanzado el plazo de funcionamiento de la herramienta hasta la siguiente revisión por parte del Servicio Técnico. Lleve a tiempo el producto al Servicio Técnico de <b>Hilti</b> para que esté siempre a punto. Existe un fallo en la herramienta.



Estado	Significado
El indicador de funcionamiento parpadea en rojo.	Protección contra sobrecalentamiento La tensión de la alimentación de corriente es muy alta.

### 3.7 Suministro

Martillo rompedor, manual de instrucciones, grasa. El carro de transporte está disponible como accesorio. Encontrará otros productos del sistema autorizados para su producto en su Centro **Hilti** o en internet, en [www.hilti.group](http://www.hilti.group)

## 4 Datos técnicos

### 4.1 Martillo rompedor



La tensión nominal, la intensidad nominal, la frecuencia y/o la potencia nominal figuran en la placa de identificación específica del país.

Si se utiliza con un generador o transformador, la potencia útil debe ser al menos el doble de la potencia nominal indicada en la placa de identificación de la herramienta. La tensión de servicio del transformador o del generador debe encontrarse en todo momento entre un +5 % y un -15 % de la tensión nominal de la herramienta.

Generación de productos	01
Peso	14,5 kg
Número de impactos	30 Hz
Clase de protección	II

#### 4.1.1 Uso de alargadores



#### ADVERTENCIA

**Peligro por los cables dañados.** Si se daña el cable de red o el alargador durante el trabajo, evitar tocar el cable. Extraer el enchufe de red de la toma de corriente.

- ▶ Compruebe con regularidad el cable de conexión de la herramienta y, en caso de que presentara daños, encargue su sustitución a un profesional experto en la materia.
- Utilice solo el alargador autorizado con sección de cable suficiente para el campo de aplicación. De lo contrario, puede generarse una pérdida de potencia de la herramienta y un sobrecalentamiento del cable.
- Compruebe regularmente que el alargador no haya sufrido daños.
- Sustituir los alargadores dañados.
- Al trabajar al aire libre, utilice únicamente alargadores autorizados que estén correspondientemente identificados.

#### Secciones mínimas recomendadas y longitudes máximas del cable con una tensión de alimentación de 120 V

Cable	AWG 16	AWG 14	AWG 12	AWG 10
Sección de cable	1,31 mm <sup>2</sup>	2,08 mm <sup>2</sup>	3,31 mm <sup>2</sup>	5,26 mm <sup>2</sup>
Sección de cable	2,58 kcmil	4,11 kcmil	6,53 kcmil	10,4 kcmil
Longitud del cable	25 m	30 m	50 m	100 m
Longitud del cable	75 ft	100 ft	150 ft	250 ft



## 5 Manejo

### 5.1 Preparación del trabajo

#### PRECAUCIÓN

**Riesgo de lesiones.** Arranque involuntario del producto.

- ▶ Extraiga el enchufe de red antes de realizar ajustes en la herramienta o de cambiar accesorios.

Respete las indicaciones de seguridad y las advertencias presentes en esta documentación y en el producto.

#### 5.1.1 Colocación del útil de inserción

1. Extraiga el enchufe de red de la toma de corriente.
2. Engrase ligeramente el extremo del útil de inserción.
  - ▶ Utilice únicamente grasa original de **Hilti**. Una grasa inadecuada puede provocar daños en la herramienta.
3. Inserte el útil de inserción en el portaútiles y gírelo ejerciendo una leve presión hasta que encaje de forma audible.
4. Tire del útil para comprobar que está encajado.

#### 5.1.2 Extracción del útil de inserción

#### PRECAUCIÓN

**Riesgo de lesiones.** El útil de inserción puede estar caliente y/o ser afilado.

- ▶ Utilice guantes de protección para cambiar el útil de inserción.
- ▶ Si el útil de inserción está caliente, no lo coloque en ningún caso sobre bases que sean inflamables.

1. Extraiga el enchufe de red de la toma de corriente.
2. Tire del bloqueo del útil hacia atrás hasta el tope.
3. Extraiga el útil de inserción.

### 5.2 Procedimiento de trabajo

#### ADVERTENCIA

**Riesgo de descarga eléctrica.** La ausencia de conductores de puesta a tierra e interruptores de corriente de defecto puede causar lesiones y quemaduras graves.

- ▶ Compruebe que la alimentación eléctrica de la obra, ya sea de la red o del generador, dispone de conductores de puesta a tierra e interruptores de corriente de defecto y de que estos están conectados.
- ▶ No ponga en marcha ningún producto si no se cumplen estas medidas de seguridad.

#### ADVERTENCIA

**Peligro por los cables dañados.** Si se daña el cable de red o el alargador durante el trabajo, evitar tocar el cable. Extraer el enchufe de red de la toma de corriente.

- ▶ Compruebe con regularidad el cable de conexión de la herramienta y, en caso de que presentara daños, encargue su sustitución a un profesional experto en la materia.

Encargue la autorización de todos los trabajos a la dirección de la obra.

#### 5.2.1 Cincelado

1. Inserte el enchufe de la herramienta en la toma de corriente.
2. Coloque el cincel en la posición deseada.
3. Presionar el interruptor de conexión y desconexión.



Procedimiento para trabajar a bajas temperaturas:

La herramienta requiere una temperatura de funcionamiento mínima para que funcione el mecanismo de percusión. Para alcanzarla, apoye la herramienta en la base y deje que marche en vacío brevemente. Repita el proceso las veces que sea necesario hasta que funcione el mecanismo percusor.



## 5.2.2 Desconexión

1. Presionar el interruptor de conexión y desconexión.
2. Extraiga el enchufe de red de la toma de corriente.

## 5.2.3 Indicaciones para el manejo



El cincel cuenta con 6 posiciones de ajuste diferentes (en intervalos de 60°). De ese modo, siempre se adopta la mejor posición en los trabajos con cincel plano y cincel de perfilar.

- ▶ Coloque el cincel aproximadamente a 80-100 mm (3 1/8"-4") del borde.
- ▶ Si hay hierros de armadura, guíe el cincel siempre en dirección al borde del material, no en dirección a los hierros de armadura.
- ▶ Inicie el proceso de cincelado en un ángulo de entre 70° y 80° respecto a la superficie del hormigón y oriente la punta hacia el borde. A continuación, mueva el ángulo en dirección a los 90° y fragmente el material.
- ▶ Gire el cincel regularmente, ya que el desgaste uniforme favorece el autoafilado.
- ▶ Una presión de apriete demasiado reducida puede provocar que el cincel salte. Una presión de apriete demasiado elevada provoca una disminución de la potencia de cincelado.

## 6 Carro de transporte opcional

### 6.1 Transporte

El carro de transporte garantiza un transporte del martillo rompedor sin peligro.

- Asegúrese de que la posición del carro de transporte es estable.
- Coloque la herramienta en el mandril portaherramientas correspondiente y manténgala siempre asegurada durante el transporte con el estribo de sujeción.
- Inserte los cinceles en los soportes correspondientes hasta que encajen.
- Asegúrese de que las vías de transporte son seguras.
- No deje el carrito de transporte en superficies inclinadas.

## 7 Cuidado y mantenimiento



### ADVERTENCIA

**Peligro de descarga eléctrica.** La realización de tareas de cuidado y mantenimiento con el enchufe conectado a la toma de corriente de puede provocar lesiones y quemaduras graves.

- ▶ Extraiga siempre el enchufe de la toma de corriente antes de realizar cualquier tarea de cuidado y mantenimiento.

### Cuidado

- Retire con cuidado la suciedad fuertemente adherida.
- Limpie cuidadosamente las rejillas de ventilación con un cepillo seco.
- Limpie la carcasa utilizando únicamente un paño ligeramente humedecido. No utilice limpiadores que contengan silicona, ya que podría afectar a las piezas de plástico.

### Mantenimiento



### ADVERTENCIA

**Riesgo de descarga eléctrica.** Las reparaciones indebidas en componentes eléctricos pueden producir lesiones graves y quemaduras.

- ▶ Las reparaciones de la parte eléctrica sólo puede llevarlas a cabo un técnico electricista cualificado.
- Compruebe con regularidad si las piezas visibles están dañadas o si los elementos de manejo funcionan correctamente.
- No utilice el producto si presenta daños o fallos que afecten al funcionamiento. Llévela de inmediato al Servicio Técnico de **Hilti** para que la reparen.
- Coloque todos los dispositivos de protección después de las tareas de cuidado y mantenimiento y compruebe su correcto funcionamiento.



**i** Para garantizar un correcto funcionamiento, utilice exclusivamente piezas de repuesto y material de consumo originales. Puede encontrar piezas de repuesto, consumibles y accesorios para su producto que nosotros mismos comercializamos en **Hilti Store** o en: [www.hilti.group](http://www.hilti.group).

## 8 Ayuda en caso de averías

Si se producen averías que no estén incluidas en esta tabla o que no pueda solucionar usted, diríjase al Servicio Técnico de **Hilti**.

### 8.1 Tabla de anomalías

Anomalia	Posible causa	Solución
La herramienta no se pone en marcha.	Inicialización de la electrónica en curso (aprox. 4 s a partir de la conexión del enchufe)	▶ Desconectar la herramienta y volver a conectarla.
	Suministro de corriente interrumpido	▶ Enchufar otra herramienta eléctrica y comprobar si funciona.
	Cable de red o enchufe defectuosos	▶ Encargue la revisión a un técnico cualificado y su sustitución en caso necesario.
	Generador con modo de reposo	▶ Aplique una carga al generador utilizando un segundo consumidor (p. ej., una lámpara de obras). A continuación, vuelva a conectar y desconectar la herramienta.
Sin percusión	La herramienta está demasiado fría.	▶ Asegúrese de que la herramienta alcanza la temperatura de servicio mínima.
	Daños en la herramienta	▶ Encargue la reparación de la herramienta al Servicio Técnico de <b>Hilti</b> .
La herramienta no se pone en marcha o se apaga durante el funcionamiento y el indicador parpadea en rojo.	Fallo temporal (p. ej., sobrecalentamiento o sobretensión)	▶ Apagar la herramienta, dejar que se enfríe o conectarla a otra fuente de alimentación.
La herramienta está en marcha, pero el indicador está permanentemente en rojo.	Alerta de servicio	▶ Lleve siempre la herramienta al Servicio Técnico de <b>Hilti</b> para los trabajos de mantenimiento y reparación.
La herramienta no se pone en marcha o se apaga durante el funcionamiento.	El alargador es demasiado largo o no tiene la sección transversal suficiente.	▶ Utilizar un alargador con una longitud permitida y sección suficiente.

## 9 Reciclaje

Las herramientas **Hilti** están fabricadas en su mayor parte con materiales reutilizables. La condición para dicha reutilización es una separación adecuada de los materiales. En muchos países, **Hilti** recoge las herramientas usadas para su recuperación. Pregunte en el Servicio de Atención al Cliente de **Hilti** o a su asesor de ventas.



- ▶ No deseche las herramientas eléctricas, los aparatos eléctricos ni las baterías junto con los residuos domésticos.

## 10 Garantía del fabricante

- ▶ Si tiene alguna consulta acerca de las condiciones de la garantía, póngase en contacto con su sucursal local de **Hilti**.



# Manual de instruções original

## 1 Indicações sobre o Manual de instruções

### 1.1 Relativamente a este Manual de instruções

- **Aviso!** Antes de utilizar o produto, certifique-se de que leu e compreendeu o Manual de instruções fornecido com o produto incluindo as instruções, instruções de segurança e advertências, figuras e especificações. Familiarize-se sobretudo com todas as instruções, instruções de segurança e advertências, figuras, especificações, bem como com componentes e funções. Em caso de incumprimento existe perigo de choque eléctrico, incêndio e/ou ferimentos graves. Guarde o Manual de instruções incluindo todas as instruções, instruções de segurança e advertências para utilização posterior.
- Os produtos destinam-se ao utilizador profissional e só podem ser operados, mantidos e reparados por pessoal autorizado, devidamente qualificado. Estas pessoas deverão estar informadas em particular sobre os potenciais perigos. O produto e seu equipamento auxiliar podem representar perigo se usados incorrectamente por pessoas não qualificadas ou se usados para fins diferentes daqueles para os quais foram concebidos.
- O Manual de instruções fornecido corresponde ao actual avanço tecnológico no momento da impressão. Encontra a versão actual sempre online, na página de produtos Hilti. Para o efeito, siga a hiperligação ou o código QR neste Manual de instruções, identificado com o símbolo .
- Entregue o produto a outras pessoas apenas juntamente com o Manual de instruções.

### 1.2 Explicação dos símbolos

#### 1.2.1 Advertências

As advertências alertam para perigos durante a utilização do produto. São utilizadas as seguintes palavras de aviso:

#### PERIGO

**PERIGO !**

- ▶ Indica perigo iminente que pode originar acidentes pessoais graves ou até mesmo fatais.

#### AVISO

**AVISO !**

- ▶ Indica um possível perigo que pode causar graves ferimentos pessoais, até mesmo fatais.

#### CUIDADO

**CUIDADO !**

- ▶ Indica uma situação potencialmente perigosa que pode originar ferimentos corporais ou danos materiais.

#### 1.2.2 Símbolos no manual de instruções

Neste manual de instruções são utilizados os seguintes símbolos:

	Consultar o manual de instruções
	Instruções de utilização e outras informações úteis
	Manuseamento com materiais recicláveis
	Não deitar as ferramentas eléctricas e baterias no lixo doméstico

#### 1.2.3 Símbolos nas figuras

Em figuras são utilizados os seguintes símbolos:

- 2** Estes números remetem para a figura respectiva no início do presente manual de instruções.



3	A numeração nas imagens indica passos de trabalho importantes ou componentes importantes para os passos de trabalho. No texto, estes passos de trabalho ou componentes são realçados com os respectivos números, p. ex. (3).
	Na figura <b>Vista geral</b> são utilizados números de posição que fazem referência aos números da legenda na secção <b>Vista geral do produto</b> .
	Este símbolo pretende despertar a sua atenção durante o manuseamento do produto.

### 1.3 Símbolos dependentes do produto

#### 1.3.1 Símbolos no produto

No produto são utilizados os seguintes símbolos:

	Classe II de protecção (com duplo isolamento)
	Indicador de manutenção

## 2 Segurança

### 2.1 Normas de segurança gerais para ferramentas eléctricas

**⚠ AVISO** Leia todas as normas de segurança, instruções, imagens e dados técnicos, com os quais esta ferramenta eléctrica está equipada. O não cumprimento das instruções a seguir pode resultar em choque eléctrico, incêndio e/ou ferimentos graves.

**Guarde bem todas as normas de segurança e instruções para futura referência.**

O termo “ferramenta eléctrica” utilizado nas normas de segurança refere-se a ferramentas com ligação à corrente eléctrica (com cabo de alimentação) ou a ferramentas a bateria (sem cabo).

#### Segurança no posto de trabalho

- ▶ **Mantenha a sua área de trabalho limpa e bem iluminada.** Locais desarrumados ou mal iluminados podem ocasionar acidentes.
- ▶ **Não utilize a ferramenta eléctrica em ambientes explosivos ou na proximidade de líquidos ou gases inflamáveis.** Ferramentas eléctricas produzem faíscas que podem provocar a ignição de pó e vapores.
- ▶ **Mantenha crianças e terceiros afastados durante os trabalhos.** Distacções podem conduzir à perda de controlo sobre a ferramenta.

#### Segurança eléctrica

- ▶ **A ficha da ferramenta eléctrica deve servir na tomada. A ficha não deve ser modificada de modo algum. Não utilize quaisquer adaptadores com ferramentas eléctricas com ligação terra.** Fichas originais (não modificadas) e tomadas adequadas reduzem o risco de choque eléctrico.
- ▶ **Evite o contacto do corpo com superfícies ligadas à terra, como, por exemplo, canos, radiadores, fogões e frigoríficos.** Existe um risco elevado de choque eléctrico se o corpo estiver com ligação à terra.
- ▶ **As ferramentas eléctricas não devem ser expostas à chuva nem à humidade.** A infiltração de água numa ferramenta eléctrica aumenta o risco de choque eléctrico.
- ▶ **Não use o cabo de ligação para transportar, pendurar ou desligar a ferramenta eléctrica da tomada. Mantenha o cabo de ligação afastado de calor, óleo, arestas vivas ou partes em movimento.** Cabos de ligação danificados ou emaranhados aumentam o risco de choque eléctrico.
- ▶ **Quando operar uma ferramenta eléctrica ao ar livre, utilize apenas cabos de extensão próprios para utilização no exterior.** A utilização de um cabo de extensão próprio para utilização no exterior reduz o risco de choques eléctricos.
- ▶ **Utilize um disjuntor diferencial se não puder ser evitada a utilização da ferramenta eléctrica em ambiente húmido.** A utilização de um disjuntor diferencial reduz o risco de choque eléctrico.

#### Segurança física

- ▶ **Esteja alerta, observe o que está a fazer, e tenha prudência ao trabalhar com uma ferramenta eléctrica. Se estiver cansado ou sob influência de drogas, álcool ou medicamentos não efectue nenhum trabalho com ferramentas eléctricas.** Um momento de distração ao operar a ferramenta eléctrica pode causar ferimentos graves.
- ▶ **Use equipamento de segurança. Use sempre óculos de protecção.** Equipamento de segurança, como, por exemplo, máscara antipoeiras, sapatos de segurança antiderrapantes, capacete de segurança



ou protecção auricular, de acordo com o tipo e aplicação da ferramenta eléctrica, reduzem o risco de lesões.

- ▶ **Evite um arranque involuntário. Assegure-se de que a ferramenta eléctrica está desligada antes de a ligar à fonte de alimentação e/ou à bateria, pegar nela ou a transportar.** Transportar a ferramenta eléctrica com o dedo no interruptor ou ligar uma ferramenta à tomada com o interruptor ligado (ON) pode resultar em acidentes.
- ▶ **Remova quaisquer chaves de ajuste (chaves de fenda), antes de ligar a ferramenta eléctrica.** Um acessório ou chave deixado preso numa parte rotativa da ferramenta pode causar ferimentos.
- ▶ **Evite posturas corporais desfavoráveis. Mantenha sempre uma posição correcta, em perfeito equilíbrio.** Desta forma será mais fácil manter o controlo sobre a ferramenta eléctrica em situações inesperadas.
- ▶ **Use roupa apropriada. Não use roupa larga ou jóias. Mantenha o cabelo, vestuário e luvas afastados das peças móveis.** Roupas largas, jóias ou cabelos compridos podem ficar presos nas peças móveis.
- ▶ **Se poderem ser montados sistemas de remoção e de recolha de pó, assegure-se de que estes estão ligados e são utilizados correctamente.** A utilização de um sistema de remoção de pó pode reduzir os perigos relacionados com a exposição ao mesmo.
- ▶ **Não se acomode numa falsa sensação de segurança e não ignore os regulamentos de segurança para ferramentas eléctricas, mesmo se estiver familiarizado com a ferramenta eléctrica após numerosas utilizações.** Agir de forma descuidada pode causar ferimentos graves dentro duma fracção de segundo.

#### Utilização e manuseamento da ferramenta eléctrica

- ▶ **Não sobrecarregue a ferramenta. Use para o seu trabalho a ferramenta eléctrica correcta.** Com a ferramenta eléctrica adequada obterá maior eficiência e segurança se respeitar os seus limites.
- ▶ **Não utilize a ferramenta eléctrica se o interruptor estiver defeituoso.** Uma ferramenta eléctrica que já não possa ser accionada pelo interruptor é perigosa e deve ser reparada.
- ▶ **Retire a ficha da tomada e/ou remova uma bateria amovível antes de efectuar ajustes na ferramenta, substituir acessórios ou guardar a ferramenta.** Esta medida preventiva evita o accionamento accidental da ferramenta eléctrica.
- ▶ **Guarde ferramentas eléctricas não utilizadas fora do alcance das crianças. Não permita que a ferramenta seja utilizada por pessoas não familiarizadas com a mesma ou que não tenham lido estas instruções.** Ferramentas eléctricas operadas por pessoas não treinadas são perigosas.
- ▶ **Faça uma manutenção regular de ferramentas eléctricas e acessórios. Verifique se as partes móveis funcionam perfeitamente e não emperram ou se há peças quebradas ou danificadas que possam influenciar o funcionamento da ferramenta eléctrica. Peças danificadas devem ser reparadas antes da utilização da ferramenta.** Muitos acidentes são causados por ferramentas eléctricas com manutenção deficiente.
- ▶ **Mantenha as ferramentas de corte sempre afiadas e limpas.** Acessórios com gumes afiados tratados correctamente emperram menos e são mais fáceis de controlar.
- ▶ **Utilize a ferramenta eléctrica, acessórios, bits, etc., de acordo com estas instruções. Tome também em consideração as condições de trabalho e o trabalho a ser efectuado.** A utilização da ferramenta eléctrica para outros fins além dos previstos, pode ocasionar situações de perigo.
- ▶ **Mantenha punhos e respectivas superfícies secos, limpos e isentos de óleo e gordura.** Punhos e superfícies afins escorregadios não permitem um manuseamento e controlo seguro da ferramenta eléctrica em situações imprevistas.

#### Manutenção

- ▶ **A sua ferramenta eléctrica só deve ser reparada por pessoal qualificado e só devem ser utilizadas peças sobressalentes originais.** Isto assegurará que a segurança da ferramenta eléctrica se mantenha.

## 2.2 Normas de segurança para martelos

### Indicações de segurança para todos os trabalhos

- ▶ **Use protecção auricular.** Ruído em excesso pode levar à perda de audição.
- ▶ **Utilize os punhos auxiliares fornecidos com a ferramenta.** A perda de controlo da ferramenta pode causar ferimentos.
- ▶ **Segure a ferramenta pelas áreas isoladas dos punhos, quando executar trabalhos onde o acessório pode encontrar cabos eléctricos encobertos ou o próprio cabo de rede.** O contacto com um cabo sob tensão também pode colocar partes metálicas da ferramenta sob tensão e causar um choque eléctrico.



## 2.3 Normas de segurança adicionais para martelo demolidor

### Segurança física

- ▶ Utilize o produto e os acessórios somente se estiverem em perfeitas condições técnicas.
- ▶ Nunca efectue quaisquer manipulações ou modificações no produto ou nos acessórios.
- ▶ Ao cinzelar tectos, paredes e pavimentos garanta uma posição de trabalho firme e segura. Um atravessamento repentino poderá levar à perda do equilíbrio!
- ▶ Ao realizar trabalhos de perfuração, vede a área que se encontra do lado oposto dos trabalhos. Restos de demolição podem desprender-se e/ou cair e ferir outras pessoas.
- ▶ Durante a utilização, o utilizador e restantes pessoas que se encontrem na proximidade da ferramenta devem usar óculos de protecção, capacete de segurança, protecção auricular e luvas de protecção e máscara de protecção respiratória.
- ▶ Use luvas de protecção durante a substituição de acessórios. Tocar no acessório pode causar ferimentos por corte e queimaduras.
- ▶ Utilize óculos de protecção. Os estilhaços podem provocar ferimentos corporais, nomeadamente nos olhos.
- ▶ Pó produzido ao rectificar, lixar, cortar e furar pode conter produtos químicos perigosos. Alguns exemplos são: Chumbo ou tintas à base de chumbo; Tijolo, betão e outros produtos de alvenaria, pedra natural e outros produtos que contenham silicatos; Determinadas madeiras, como carvalho, faia e madeira tratada quimicamente; Amianto ou materiais contendo amianto. Determine a exposição do operador e das pessoas que se encontrem nas proximidades através da classe de perigo dos materiais a serem trabalhados. Tome as medidas necessárias para manter a exposição a um nível seguro como, por ex., a utilização de um sistema colector de pó ou o uso de uma protecção respiratória adequada. As medidas gerais para redução da exposição incluem:
  - ▶ Trabalhar num local bem ventilado,
  - ▶ Evitar o contacto prolongado com pó,
  - ▶ Afastar o pó do rosto e do corpo,
  - ▶ Usar roupa de protecção e lavar áreas expostas com água e sabão.
- ▶ Faça frequentemente pausas e exercícios para melhorar a circulação sanguínea nos dedos. Os trabalhos mais longos, devido às intensas vibrações, podem causar distúrbios nos vasos sanguíneos ou no sistema nervoso dos dedos, mãos ou pulsos.

### Segurança eléctrica

- ▶ Antes de iniciar os trabalhos, verifique o local de trabalho relativamente a cabos eléctricos encobertos, bem como tubos de gás e água. Partes metálicas externas do produto podem causar um choque eléctrico ou uma explosão se, inadvertidamente, danificarem uma linha eléctrica, um cano de gás ou de água.

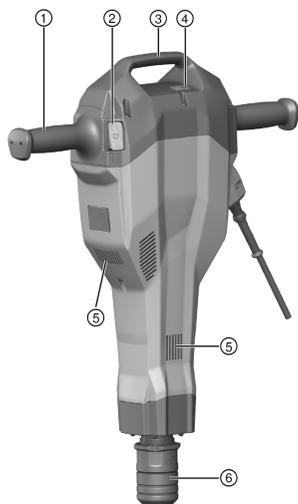
### Utilização e manutenção de ferramentas eléctricas

- ▶ Ligue o produto somente quando o tiver colocado na posição de trabalho.
- ▶ Aguarde até que o produto esteja parado, antes de o pousar.



### 3 Descrição

#### 3.1 Vista geral TE 2000-AVR 1



- ① Punho
- ② Interruptor on/off
- ③ Pega de transporte
- ④ Indicador de manutenção
- ⑤ Saídas de ar
- ⑥ Mandril

#### 3.2 Vista geral do carro de transporte 2

- ① Punho
- ② Estribo de retenção
- ③ Suporte para consumíveis (cinzeiros)
- ④ Rodas
- ⑤ Fixação da roda (anilha, contrapino)
- ⑥ Espigão de recepção da ferramenta

#### 3.3 Utilização conforme a finalidade projectada

O produto descrito é um martelo demolidor de utilização manual. Está concebido para trabalhos de cinzelamento em betão, alvenaria e asfalto. Também pode ser utilizado para trabalhos de compactação e escavação.

Certifique-se de que a corrente eléctrica à qual a ferramenta é ligada está de acordo com a mencionada na placa de características.

#### 3.4 Má utilização previsível

- A ferramenta só deve ser utilizada em ambiente seco.
- Não utilize a ferramenta onde exista risco de incêndio e de explosão.
- Materiais nocivos para a saúde (p. ex., amianto) não podem ser processados.

#### 3.5 Active Vibration Reduction

O produto está equipado com um sistema Active Vibration Reduction (AVR) que diminui perceptivelmente as vibrações.

#### 3.6 Indicador de manutenção

O martelo demolidor está equipado com um indicador de manutenção com sinal luminoso.



Estado	Significado
Indicador de manutenção está aceso a vermelho.	Foi atingido o tempo de trabalho predeterminado e requer-se agora uma manutenção. Envie atempadamente o seu produto a um Centro de Assistência Técnica <b>Hilti</b> para que seja reparado e esteja pronto a ser usado quando necessário. Avaria na ferramenta.
Indicador de manutenção está a piscar a vermelho.	Disjuntor térmico A tensão fornecida pela rede de alimentação é demasiado alta.

### 3.7 Incluído no fornecimento

Martelo demolidor, manual de instruções, massa lubrificante. O carro de transporte está disponível como acessório.

Poderá encontrar outros produtos de sistema aprovados para o seu produto no seu Centro de Assistência **Hilti** ou online, em: [www.hilti.group](http://www.hilti.group)

## 4 Características técnicas

### 4.1 Martelo demolidor



Consulte a tensão nominal, corrente nominal, frequência e/ou potência nominal na sua placa de características específica do país.

Em caso de alimentação por um gerador ou transformador, a respectiva potência de saída deverá ter, no mínimo, o dobro da potência nominal indicada na placa de características da ferramenta. A tensão de serviço do transformador ou gerador deverá encontrar-se sempre entre +5% e -15% da tensão nominal da ferramenta.

Geração de produtos	01
Peso	14,5 kg
Velocidade de impacto	30 Hz
Classe de protecção	II

#### 4.1.1 Utilização de extensões de cabo



#### AVISO

**Perigo devido a cabo danificado!** Se danificar o cabo enquanto trabalha, não lhe toque e desligue o aparelho imediatamente. Retire a ficha de rede da tomada.

- ▶ Verifique o cabo eléctrico regularmente. Se danificado, deve ser imediatamente substituído por um especialista.
- Utilize apenas cabos de extensão aprovados para o tipo de aplicação em causa e com a secção transversal adequada. A inobservância desta recomendação pode resultar numa perda de potência da ferramenta e no sobreaquecimento do cabo.
- Examine o cabo periodicamente em relação a eventuais danos.
- Substitua os cabos de extensão danificados.
- Em trabalhos de exterior, utilize apenas extensões com secção apropriada e correspondentemente indicadas.

#### Secções de cabo mínimas recomendadas e comprimentos máximos para uma tensão de rede de 120V

Cabo	AWG 16	AWG 14	AWG 12	AWG 10
Secção do cabo	1,31 mm <sup>2</sup>	2,08 mm <sup>2</sup>	3,31 mm <sup>2</sup>	5,26 mm <sup>2</sup>
Secção do cabo	2,58 kcmil	4,11 kcmil	6,53 kcmil	10,4 kcmil
Comprimento do cabo	25 m	30 m	50 m	100 m
Comprimento do cabo	75 ft	100 ft	150 ft	250 ft



## 5 Utilização

### 5.1 Preparação do local de trabalho

#### CUIDADO

**Risco de ferimentos!** Arranque inadvertido do produto.

- ▶ Retire a ficha antes de efectuar ajustes na ferramenta ou substituir acessórios.

Tenha em atenção as instruções de segurança e as advertências nesta documentação e no produto.

#### 5.1.1 Colocar o acessório

1. Retire a ficha de rede da tomada.
2. Lubrifique ligeiramente o encabadouro do acessório.
  - ▶ Utilize apenas massa lubrificante original da **Hilti**. Uma massa lubrificante errada pode provocar danos na ferramenta.
3. Encaixe o acessório no mandril e rode-o aplicando ligeira pressão até que este encaixe de forma audível.
4. Tente puxar o acessório para fora, verificando assim se está bem fixo.

#### 5.1.2 Retirar o acessório

#### CUIDADO

**Risco de ferimentos!** O acessório pode estar quente e/ou com arestas vivas.

- ▶ Use luvas de protecção ao mudar o acessório.
- ▶ Nunca pouse acessórios quentes sobre bases inflamáveis.

1. Retire a ficha de rede da tomada.
2. Puxe o bloqueio da ferramenta para trás, até ao batente.
3. Retire o acessório.

### 5.2 Trabalhar

#### AVISO

**Perigo devido a choque eléctrico!** Condutores de terra e disjuntores diferenciais em falta podem provocar ferimentos graves e queimaduras.

- ▶ Verifique que na linha de alimentação eléctrica do lado da obra, quer da rede ou do gerador, existem e estão conectados sempre condutores de terra e disjuntores diferenciais.
- ▶ Não coloque um produto em funcionamento sem estas medidas de segurança.

#### AVISO

**Perigo devido a cabo danificado!** Se danificar o cabo enquanto trabalha, não lhe toque e desligue o aparelho imediatamente. Retire a ficha de rede da tomada.

- ▶ Verifique o cabo eléctrico regularmente. Se danificado, deve ser imediatamente substituído por um especialista.

Solicite que o engenheiro ou arquitecto da obra autorize todos os trabalhos a realizar!

#### 5.2.1 Cinzelar

1. Ligue a ficha de rede à tomada.
2. Coloque o cinzel na posição desejada.
3. Pressione o interruptor on/off.



Quando trabalhar em locais com baixas temperaturas:

O mecanismo de percussão só funciona quando a ferramenta atinge uma temperatura de funcionamento mínima. Para a atingir, coloque a ferramenta em contacto com o material base e deixe-a trabalhar em vazio. Se necessário, repita este procedimento até que o mecanismo de percussão funcione.

#### 5.2.2 Desligar

1. Pressione o interruptor on/off.



2. Retire a ficha de rede da tomada.

### 5.2.3 Notas de trabalho



O cinzel pode ser fixo em 6 posições diferentes (em incrementos de 60°). Assim, tanto os cinzéis planos como os cinzéis côncavos podem ser ajustados na posição ideal para o trabalho em causa.

- ▶ Coloque o cinzel aprox. 80 mm a 100 mm (3 1/8" a 4") do rebordo.
- ▶ No caso de ferros da armadura, conduza o cinzel sempre contra o rebordo do material, não contra o ferro da armadura.
- ▶ Inicie o processo de cinzelamento num ângulo de 70° a 80° em relação à superfície do betão e oriente a ponta ao rebordo. Desloque em seguida o ângulo na direcção da perpendicular (90°) e solte o material.
- ▶ Rode regularmente o cinzel, já que um desgaste uniforme favorece o autoafinamento.
- ▶ Uma pressão de encosto insuficiente faz com que o cinzel salte. Uma pressão de encosto excessiva reduz a capacidade de cinzelamento.

## 6 Opção carro de transporte

### 6.1 Transporte

O carro de transporte assegura um transporte com segurança do martelo demolidor.

- Providencie uma posição estável do carro de transporte.
- Coloque a ferramenta sobre o espigão de recepção da ferramenta previsto para o efeito e fixe-a durante o transporte sempre com o estribo de retenção.
- Introduza os cinzéis no suporte previsto para o efeito até engatarem.
- Tenha atenção a trajectos de transporte seguros.
- Não estacione o carro de transporte sobre superfícies inclinadas.

## 7 Conservação e manutenção

### AVISO

**Perigo devido a choque eléctrico!** A conservação e manutenção com a ficha de ligação inserida pode originar ferimentos graves e queimaduras.

- ▶ Retirar sempre a ficha de ligação antes de todos os trabalhos de conservação e manutenção!

### Conservação

- Remover a sujidade persistente com cuidado.
- Limpe as saídas de ar cuidadosamente com uma escova seca.
- Limpar a carcaça apenas com um pano ligeiramente humedecido. Não utilizar produtos de conservação que contenham silicone, uma vez que estes poderiam danificar os componentes de plástico.

### Manutenção

### AVISO

**Perigo devido a choque eléctrico!** Reparações incorrectas em peças eléctricas podem causar ferimentos e queimaduras graves.

- ▶ As reparações na parte eléctrica apenas podem ser executadas por um electricista especializado.
- Verificar, regularmente, todos os componentes visíveis quanto a danos e os comandos operativos quanto a funcionamento perfeito.
- Em caso de danos e/ou perturbações de funcionamento, não operar o produto. Mandar reparar de imediato pelo Centro de Assistência Técnica **Hilti**.
- Após os trabalhos de conservação e manutenção, aplicar todos os dispositivos de protecção e verificar o respectivo funcionamento.



Para um funcionamento seguro, utilize apenas peças sobresselentes e consumíveis originais. Poderá encontrar peças sobresselentes, consumíveis e acessórios aprovados por nós para o seu produto no seu **Hilti Store** ou em: [www.hilti.group](http://www.hilti.group).



## 8 Ajuda em caso de avarias

No caso de avarias que não sejam mencionadas nesta tabela ou se não conseguir resolvê-las por si mesmo, contacte o nosso Centro de Assistência Técnica **Hilti**.

### 8.1 Tabela de avarias

Avaria	Causa possível	Solução
Ferramenta não arranca	A electrónica está a ser inicializada (isto leva até cerca de 4 segundos após a introdução da ficha na tomada)	▶ Desligue e volte a ligar a ferramenta.
	Avaria na rede eléctrica	▶ Ligar uma outra ferramenta na mesma tomada para verificar se esta tem corrente.
	O cabo de alimentação ou a ficha está com defeito	▶ Mandar verificar e, se necessário, substituir por um electricista especializado.
	Gerador com Sleep Mode	▶ Aplique uma carga ao gerador, conectando um outro consumidor (p.ex., uma lâmpada). De seguida, ligar e voltar a desligar a ferramenta.
Não tem percussão	A ferramenta está demasiado fria	▶ Deixe que a ferramenta aqueça até à temperatura de funcionamento mínima.
	Avaria	▶ Mande reparar a ferramenta no Centro de Assistência Técnica <b>Hilti</b> .
A ferramenta não arranca ou desliga-se durante a utilização e o indicador pisca a vermelho	Falha temporária (sobreaquecimento ou sobretensão, por exemplo)	▶ Desligar, deixar arrefecer a ferramenta ou ligá-la a uma outra fonte de alimentação.
A ferramenta funciona mas o indicador está continuamente aceso a vermelho	Pré-aviso de manutenção	▶ Deixe que a manutenção ou a reparação seja realizada pelo Centro de Assistência Técnica <b>Hilti</b> .
A ferramenta não arranca ou desliga-se durante a utilização	Extensão de cabo demasiado comprida ou com secção insuficiente	▶ Utilize uma extensão de cabo com comprimento permitido e secção suficiente.

## 9 Reciclagem

As ferramentas **Hilti** são, em grande parte, fabricadas com materiais recicláveis. Um pré-requisito para a reciclagem é que esses materiais sejam devidamente separados. Em muitos países, a **Hilti** aceita a sua ferramenta usada para reutilização. Para mais informações dirija-se ao Serviço de Clientes **Hilti** ou ao seu vendedor.



- ▶ Não deite as ferramentas eléctricas, aparelhos electrónicos e baterias no lixo doméstico!

## 10 Garantia do fabricante

- ▶ Se tiver dúvidas em relação às condições de garantia, contacte o seu parceiro **Hilti** local.

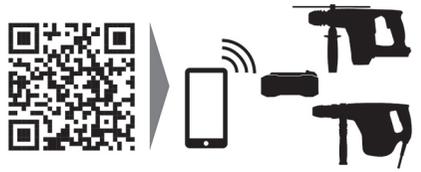








Hilti Corporation  
LI-9494 Schaan  
Tel.:+423 234 21 11  
Fax:+423 234 29 65  
[www.hilti.com](http://www.hilti.com)



2167141