



HILTI HST2-F V3 EXPANSION ANCHOR

ETA-21/0510 (14.11.2024)



English 2 -24

Deutsch 25-47

Public-law institution jointly founded by the federal states and the Federation

European Technical Assessment Body
for construction products



European Technical Assessment

ETA-21/0510
of 14 November 2024

English translation prepared by DIBt - Original version in German language

General Part

Technical Assessment Body issuing the European Technical Assessment:

Trade name of the construction product

Product family
to which the construction product belongs

Manufacturer

Manufacturing plant

This European Technical Assessment
contains

This European Technical Assessment is
issued in accordance with Regulation (EU)
No 305/2011, on the basis of

Deutsches Institut für Bautechnik

Hilti metal expansion anchor HST2-F V3

Torque-controlled expansion fasteners for use in concrete
with variable working life up to 50 years

Hilti Aktiengesellschaft
Feldkircherstrasse 100
9494 SCHAAN
FÜRSTENTUM LIECHTENSTEIN

Hilti Werke

23 pages including 3 annexes which form an integral part
of this assessment

EAD 330232-01-0601-v01

The European Technical Assessment is issued by the Technical Assessment Body in its official language. Translations of this European Technical Assessment in other languages shall fully correspond to the original issued document and shall be identified as such.

Communication of this European Technical Assessment, including transmission by electronic means, shall be in full. However, partial reproduction may only be made with the written consent of the issuing Technical Assessment Body. Any partial reproduction shall be identified as such.

This European Technical Assessment may be withdrawn by the issuing Technical Assessment Body, in particular pursuant to information by the Commission in accordance with Article 25(3) of Regulation (EU) No 305/2011.

Specific part

1 Technical description of the product

The Hilti metal expansion anchor HST2-F V3 is an anchor made of hot dip galvanized steel which is placed into a drilled hole and anchored by torque-controlled expansion.

The product description is given in Annex A.

2 Specification of the intended use in accordance with the applicable European Assessment Document

The performances given in Section 3 are only valid if the fastener is used in compliance with the specifications and conditions given in Annex B.

The verifications and assessment methods on which this European Technical Assessment is based lead to the assumption of a working life of the anchor, which is varied depending on the corrosion protection and the environmental conditions but not exceeding 50 years. The indications given on the working life cannot be interpreted as a guarantee given by the producer, but are to be regarded only as a means for choosing the right products in relation to the expected economically reasonable working life of the works.

3 Performance of the product and references to the methods used for its assessment

3.1 Mechanical resistance and stability (BWR 1)

Essential characteristic	Performance
Characteristic resistance to tension load (static and quasi-static loading) Method A	see Annex C1 and C2
Characteristic resistance to shear load (static and quasi-static loading)	see Annex C3
Displacements	see Annex C4
Durability	see Annex B1 – B3

3.2 Safety in case of fire (BWR 2)

Essential characteristic	Performance
Reaction to fire	Class A1
Resistance to fire	see Annex C5 and C6

4 Assessment and verification of constancy of performance (AVCP) system applied, with reference to its legal base

In accordance with the European Assessment Document EAD 330232-01-0601-v01 the applicable European legal act is: 1996/582/EC.

The system to be applied is: 1

5 Technical details necessary for the implementation of the AVCP system, as provided for in the applicable EAD

Technical details necessary for the implementation of the AVCP system are laid down in the control plan deposited with Deutsches Institut für Bautechnik.

Issued in Berlin on 14 November 2024 by Deutsches Institut für Bautechnik

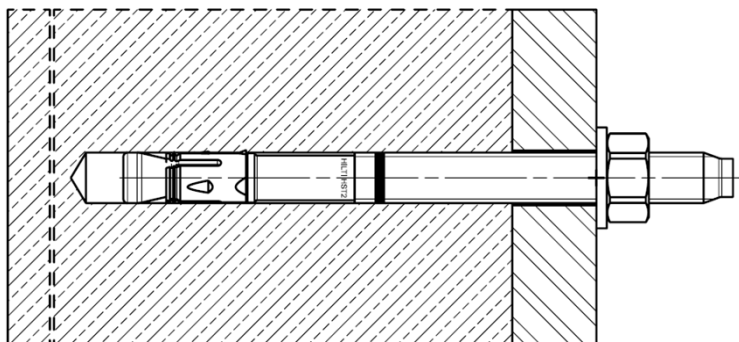
Dipl.-Ing. Beatrix Wittstock
Head of Section

beglaubigt:
Ziegler

Installed condition

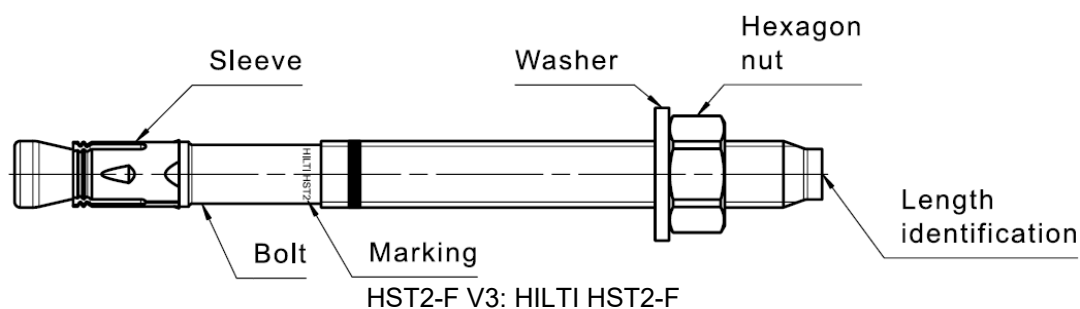
Figure A1:

Hilti metal expansion anchor HST2-F V3



Product description and marking

Cold-formed version HST2-F V3: M8 to M16



Hilti metal expansion anchor HST2-F V3

Product description

Installation condition, product, marking and identification

Annex A1

Table A1: Length identification

Letter		A	B	C	D	E	f	II
Anchor length	≥ [mm]	38,1	50,8	63,5	76,2	88,9	100,0	100,0
	< [mm]	50,8	63,5	76,2	88,9	101,6	100,0	100,0

Letter		F	G	Δ	H	I	J	K
Anchor length	≥ [mm]	101,6	114,3	125,0	127,0	139,7	152,4	165,1
	< [mm]	114,3	127,0	125,0	139,7	152,4	165,1	177,8

Letter		L	M	N	O	P	Q	R
Anchor length	≥ [mm]	177,8	190,5	203,2	215,9	228,6	241,3	254,0
	< [mm]	190,5	203,2	215,9	228,6	241,3	254,0	279,4

Letter		r	S	T	U	V	W	X
Anchor length	≥ [mm]	260,0	279,4	304,8	330,2	355,6	381,0	406,4
	< [mm]	260,0	304,8	330,2	355,6	381,0	406,4	431,8

Letter		Y	Z	AA	BB	CC	DD	EE
Anchor length	≥ [mm]	431,8	457,2	482,6	508,0	533,4	558,8	584,2
	< [mm]	457,2	482,6	508,0	533,4	558,8	584,2	609,6

Letter		FF	GG	HH	II	JJ	KK	LL
Anchor length	≥ [mm]	609,6	635,0	660,4	685,8	711,2	736,6	762,0
	< [mm]	635,0	660,4	685,8	711,2	736,6	762,0	787,4

Letter		MM	NN	OO	PP	QQ	RR	SS
Anchor length	≥ [mm]	787,4	812,8	838,2	863,6	889,0	914,4	939,8
	< [mm]	812,8	838,2	863,6	889,0	914,4	939,8	965,2

Letter		TT	UU	VV
Anchor length	≥ [mm]	965,2	990,6	1016,0
	< [mm]	990,6	1016,0	1041,4

Hilti metal expansion anchor HST2-F V3

Product description
Length identification

Annex A2

Table A2: Materials

Designation	Material
HST2-F V3 (Carbon steel, hot dip galvanized $\geq 50\mu\text{m}$ according to EN ISO 10684:2004 + AC:2009)	
Expansion sleeve	Stainless steel A2 according to ASTM A 240/A 240M: 2019
Bolt	Carbon steel, hot dip galvanized, coated, rupture elongation ($l_0 = 5d$) $> 8 \%$
Washer	Carbon steel, hot dip galvanized
Hexagon nut	Carbon steel, hot dip galvanized, coated
Filling set (Carbon steel, mechanical zinc plating)	
Sealing washer and Spherical washer	Carbon steel, mechanical zinc plating
Mortar	
Injection mortar	Injection mortar Hilti HIT-HY...

Table A3: Material code for identification of different materials

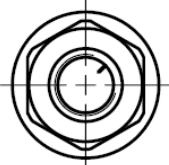
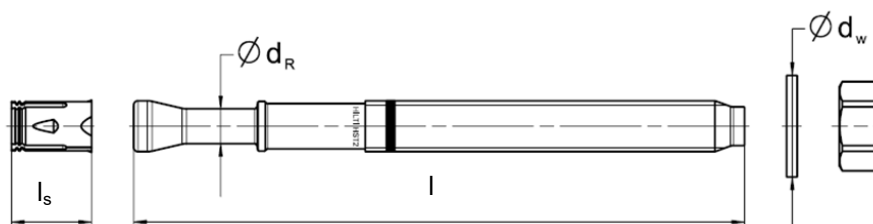
	HST2-F V3
Material code	 <p>Letter code with one mark</p>

Table A4: Dimensions HST2-F V3

Size		M8	M10	M12	M16
Maximum length of anchor	l_{max} [mm]	230	230	245	245
Shaft diameter at the cone	d_R [mm]	5,65	6,94	8,22	12
Length of expansion sleeve	l_S [mm]	13,6	18	19	24,6
Diameter of washer HST2-F V3	$d_w \geq$ [mm]	15,57	19,48	23,48	29,48

HST2-F V3



Hilti metal expansion anchor HST2-F V3

Product description
Materials, dimensions

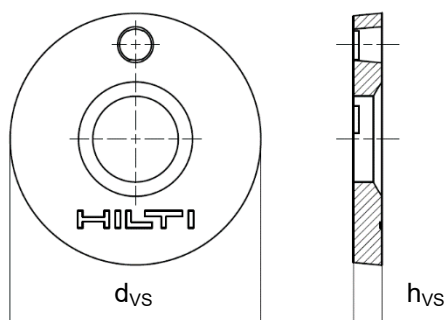
Annex A3

Filling set to fill the annular gap between the anchor and the fixture

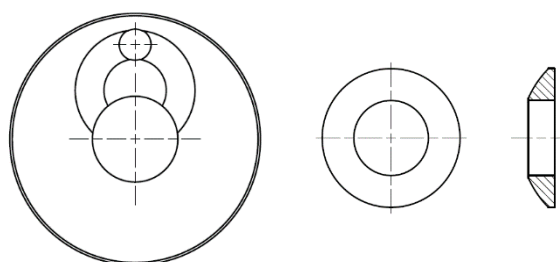
Table A5: Dimensions of the Filling Set

Size	M8	M10	M12	M16
Diameter of sealing washer d_{VS} [mm]	38	42	44	52
Thickness of sealing washer h_{VS} [mm]	5			6
Thickness of the Hilti Filling set h_{fs} [mm]	8	9	10	11

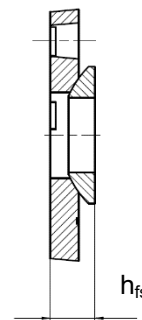
Sealing washer



Spherical washer



Filling Set



Hilti metal expansion anchor HST2-F V3

Product description
Filling set

Annex A4

Specifications of intended use

Anchorage subject to:

- Static and quasi-static loading: all sizes
- Fire exposure: all sizes.

Base materials:

- Compacted reinforced or unreinforced normal weight concrete without fibers according to EN 206-1:2013+A1:2016.
- Strength classes C20/25 to C50/60 according to EN 206-1:2013+A1:2016.
- Uncracked concrete only.

Use conditions (Environmental conditions):

- Structures subject to dry internal conditions and to external conditions
- Classification of atmospheric corrosivity, determination and estimation C1-CX according to Table B1-B3

Design:

- Anchorages are designed under the responsibility of an engineer experienced in anchorages and concrete work.
- Verifiable calculation notes and drawings are prepared taking account of the loads to be anchored. The position of the anchor is indicated on the design drawings (e. g. position of the anchor relative to reinforcement or to supports, etc.).
- Anchorages are designed in accordance with EN 1992-4:2018
- In case of requirements to resistance to fire local spalling of the concrete cover must be avoided.
- For effective embedment depth $h_{ef} < 40$ mm the use is restricted to anchoring of statically indeterminate fixings (e.g. light weight suspended ceilings) under dry internal conditions only.

Installation:

- Anchor installation carried out by appropriately qualified personnel and under the supervision of the person responsible for technical matters of the site.
- Hole drilling and cleaning with the methods given on Annex B4
- The anchor may only be set once.
- Overhead applications are permitted.

Durability:

- Variable working life according to Table B1

Hilti metal expansion anchor HST2-F V3

Intended use
Specifications

Annex B1

Table B1: Durability of hot dip galvanized coatings according to EN ISO 10684:2004+AC:2009 for coatings with mean thickness of minimum 50µm

Corrosivity category	Corrosivity	Durability [years]
C1	Very low	500
C2	Low	75
C3	Medium	25
C4	High	12,5
C5	Very High	5
CX	Extreme	2

Table B2: Description of typical indoor conditions related to the estimation of corrosivity categories according to EN ISO 9223:2012-02 Table C.1

Corrosivity category	Corrosivity	Typical indoor conditions - Examples
C1	Very low	Heated spaces with low relative humidity and insignificant pollution, e.g. offices, schools, museums
C2	Low	Unheated spaces with varying temperature and relative humidity. Low frequency of condensation and low pollution, e.g. storage, sport halls
C3	Medium	Spaces with moderate frequency of condensation and moderate pollution from production process, e.g. food-processing plants, laundries, breweries, dairies
C4	High	Spaces with high frequency of condensation and high pollution from production process, e.g. industrial processing plants, swimming pools
C5	Very High	Spaces with very high frequency of condensation and/or with high pollution from production process, e.g. mines, caverns for industrial purposes, unventilated sheds in subtropical and tropical zones
CX	Extreme	Spaces with almost permanent condensation or extensive periods of exposure to extreme humidity effects and/or with high pollution from production process, e.g. unventilated sheds in humid tropical zones with penetration of outdoor pollution including airborne chlorides and corrosion-simulating particulate matter

Hilti metal expansion anchor HST2-F V3

Intended use
Specifications

Annex B2

Table B3: Description of typical outdoor conditions related to the estimation of corrosivity categories according to EN ISO 9223:2012-02 Table C.1

Corrosivity category	Corrosivity	Typical outdoor conditions - Examples
C1	Very low	Dry or cold zone, atmospheric environment with very low pollution and time of wetness, e.g. certain deserts, Central Arctic/Antarctica
C2	Low	Temperate zone, atmospheric environment with low pollution ($\text{SO}_2 < 5 \mu\text{g}/\text{m}^3$), e.g. rural areas, small towns Dry or cold zone, atmospheric environment with short time of wetness, e.g. deserts, subarctic areas
C3	Medium	Temperate zone, atmospheric environment with medium pollution ($\text{SO}_2: 5 \mu\text{g}/\text{m}^3$ to $30 \mu\text{g}/\text{m}^3$) or some effect of chlorides, e.g. urban areas, coastal areas with low deposition of chlorides Subtropical and tropical zone, atmosphere with low pollution
C4	High	Temperate zone, atmospheric environment with high pollution ($\text{SO}_2: 30 \mu\text{g}/\text{m}^3$ to $90 \mu\text{g}/\text{m}^3$) or substantial effect of chlorides, e.g. polluted urban areas, industrial areas, coastal areas without spray of salt water or, exposure to strong effect of de-icing salts Subtropical and tropical zone, atmosphere with medium pollution
C5	Very High	Temperate and subtropical zone, atmospheric environment with very high pollution ($\text{SO}_2: 90 \mu\text{g}/\text{m}^3$ to $250 \mu\text{g}/\text{m}^3$) and/or significant effect of chlorides, e.g. industrial areas, coastal areas, sheltered positions on coastline
CX	Extreme	Subtropical and tropical zone (very high time of wetness), atmospheric environment with very high SO_2 pollution (higher than $250 \mu\text{g}/\text{m}^3$) including accompanying and production factors and/or strong effect of chlorides, e.g. extreme industrial areas, coastal and offshore areas, occasional contact with salt spray

Hilti metal expansion anchor HST2-F V3

Intended use
Specifications

Annex B3

Table B4: Specifications of intended use

Anchorage subject to:	M8	M10	M12	M16
Static and quasi static loading in uncracked concrete - hammer drilling and diamond coring	✓	✓	✓	✓
Fire exposure - hammer drilling and diamond coring	✓	✓	✓	✓

Table B5: Drilling technique



Anchorage subject to:	M8	M10	M12	M16
Hammer drilling (HD) 	✓	✓	✓	✓
Diamond coring (DD) with <ul style="list-style-type: none"> DD EC-1 coring tool and DD-C ... TS/TL core bits or DD-C ... T2/T4 core bits DD 30-W coring tool and C+ ... SPX-T (abrasive) core bits  DD 150-U coring tool and SPX-L, SPX-L Abrasive or SPX-L Hand Held core bits 	✓	✓	✓	✓

Table B6: Drill hole cleaning





Manual cleaning (MC): Hilti hand pump for blowing out drill holes 	
Compressed air cleaning (CAC): Air nozzle with an orifice opening of 3,5 mm in diameter 	
Non-cleaning (NC): Non-cleaning by 3 x venting	-

Table B7: Methods for application of torque moment

HST2-F V3	M8	M10	M12	M16
Torque wrench 	✓	✓	✓	✓
Machine torqueing with Hilti SIW impact wrench and SI-AT adaptive torque module 				
<ul style="list-style-type: none"> SIW 4AT-22 with SI-AT-22¹⁾ 	✓	✓	✓	-
<ul style="list-style-type: none"> SIW 6AT-22 with SI-AT-22¹⁾ 	-	-	✓	✓

¹⁾ Equivalent combination of Hilti SIW + SI-AT tool, compatible to this anchor type, may be used

Hilti metal expansion anchor HST2-F V3	Annex B4
Intended use Specifications	

Table B8: Installation parameters for HST2-F V3

HST2-F V3			M8			M10			M12			M16		
Nominal diameter of drill bit	d_0	[mm]	8			10			12			16		
Maximum cutting diameter of drill bit	d_{cut}	[mm]	8,45			10,45			12,50			16,50		
Maximum diameter of clearance hole in the fixture ¹⁾	d_f	[mm]	9			12			14			18		
Effective embedment depth	h_{ef}	[mm]	30	45	70	40	60	80	50	70	100	65	85	120
Nominal embedment depth	h_{nom}	[mm]	$h_{ef} + 10$			$h_{ef} + 10$			$h_{ef} + 13$			$h_{ef} + 13$		
Minimum depth of drill hole (hammer drilled, not cleaned)	$h_1 \geq$	[mm]	$h_{ef} + 30$			$h_{ef} + 30$			$h_{ef} + 33$			$h_{ef} + 33$		
Minimum depth of drill hole (hammer drilled, cleaned)	$h_1 \geq$	[mm]	$h_{ef} + 15$			$h_{ef} + 15$			$h_{ef} + 21$			$h_{ef} + 21$		
Minimum depth of drill hole (diamond cored boreholes)	$h_1 \geq$	[mm]	$h_{ef} + 20$			$h_{ef} + 20$			$h_{ef} + 23$			$h_{ef} + 23$		
Minimum thickness of concrete member ²⁾	$h_{min} \geq$	[mm]	$\max(100; 1,5h_{ef})$			$\max(120; 1,5h_{ef})$			$\max(140; 1,5h_{ef})$			$\max(160; 1,5h_{ef})$		
Minimum concrete thickness below borehole bottom ²⁾	$h_b \geq$	[mm]	21			27			32			34		
Width across flats	SW	[mm]	13			17			19			24		
Installation torque HST2-F V3	T_{inst}	[Nm]	25			40			50			110		

¹⁾ For the design of bigger clearance holes in the fixture see EN 1992-4:2018.

²⁾ Under consideration of minimum concrete thickness below borehole bottom: $h_{min} \geq h_1 + h_b$

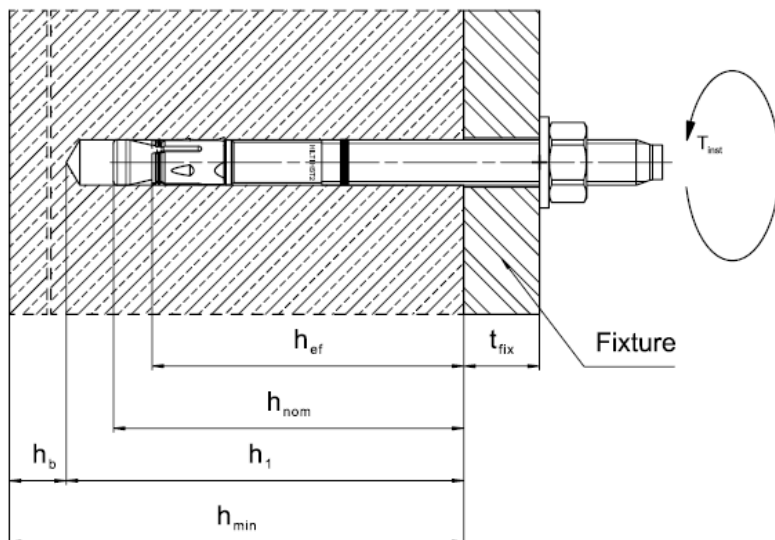
Hilti metal expansion anchor HST2-F V3

Intended use
Installation parameters

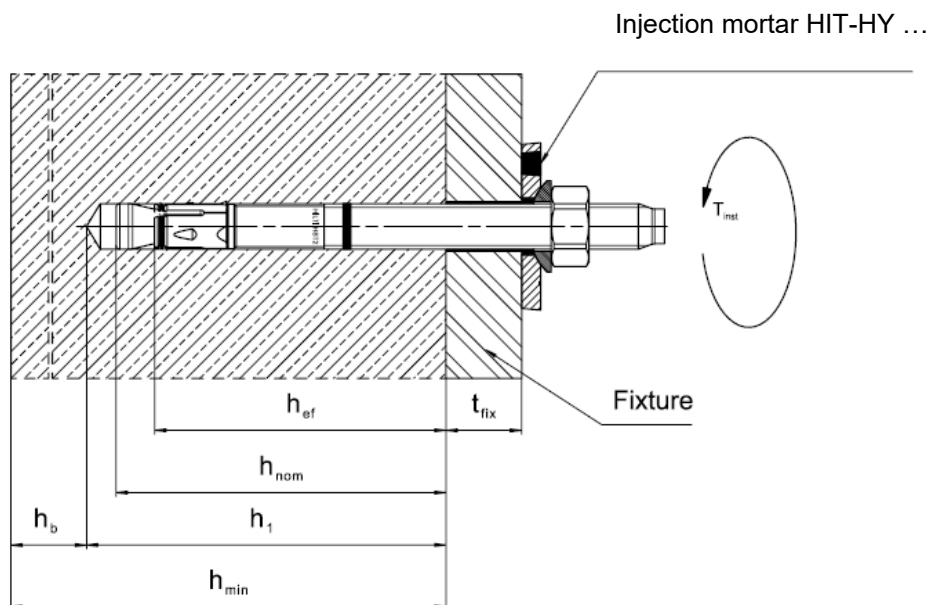
Annex B5

Setting positions for HST2-F V3

Without the Filling Set to fill the annular gap between the anchor and the fixture



With the Filling Set to fill the annular gap between the anchor and the fixture



Hilti metal expansion anchor HST2-F V3

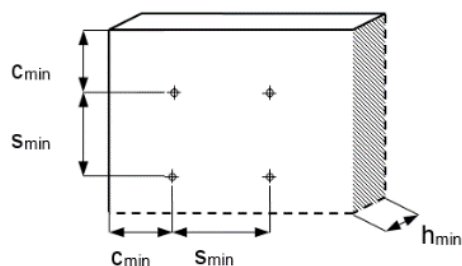
Intended use
Installation parameters, setting position

Annex B6

Table B9: Minimum spacing and edge distance for HST2-F V3

		M8			M10			M12			M16		
Effective embedment depth	h_{ef} [mm]	30	45	70	40	60	80	50	70	100	65	85	120
Hammer drilled, not cleaned boreholes													
Minimum thickness of concrete member	h_{min} [mm]	100	100	125	120	120	140	140	140	165	160	160	190
Minimum spacing ¹⁾	s_{min} [mm]	40			55			60			70		
	for $c \geq$ [mm]	55	55	45	75	75	60	75	75	65	85	85	75
Minimum edge distance ¹⁾	c_{min} [mm]	45			55			55			70		
	for $s \geq$ [mm]	65	60	40	105	105	65	125	110	95	105	105	80
Hammer drilled, cleaned boreholes													
Minimum thickness of concrete member	h_{min} [mm]	100	100	110	120	120	125	140	140	155	160	160	180
Minimum spacing ¹⁾	s_{min} [mm]	40			55			60			70		
	for $c \geq$ [mm]	55	55	50	75	75	70	75	75	65	85	85	75
Minimum edge distance ¹⁾	c_{min} [mm]	45			55			55			70		
	for $s \geq$ [mm]	65	60	50	105	105	95	125	110	115	105	105	95
Diamond cored boreholes													
Minimum thickness of concrete member	h_{min} [mm]	100	100	115	120	120	130	140	140	155	160	160	180
Minimum spacing ¹⁾	s_{min} [mm]	40			55			60			70		
	for $c \geq$ [mm]	55	55	45	75	75	65	75	75	65	85	85	75
Minimum edge distance ¹⁾	c_{min} [mm]	45			55			55			70		
	for $s \geq$ [mm]	65	60	40	105	105	85	125	110	115	105	105	95

¹⁾ Linear interpolation for s_{min} and c_{min} allowed



Hilti metal expansion anchor HST2-F V3

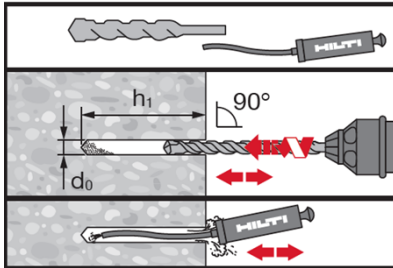
Intended Use
Minimum spacing and minimum edge distance

Annex B7

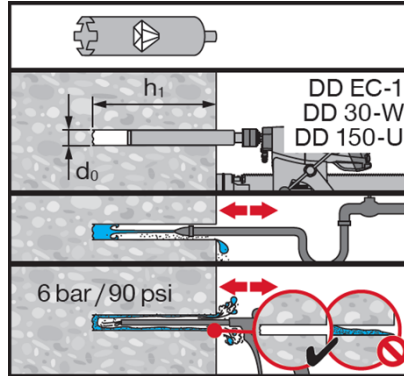
Installation instruction

Hole drilling and cleaning

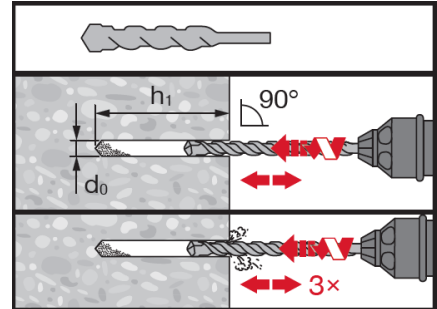
a) Hammer drilling (HD):
M8 to M16



b) Diamond coring (DD):
M8 to M16

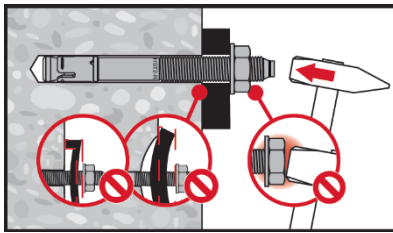


c) Hammer drilling non-cleaned
(HD NC): M8 to M16

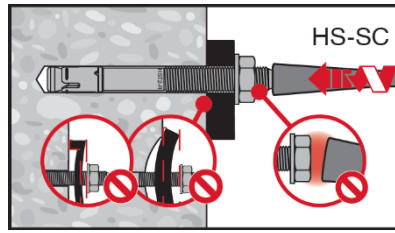


Anchor setting

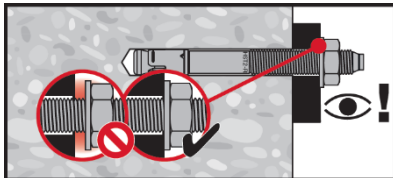
a) Hammer setting:
M8 to M16



b) Machine setting (setting tool):
M8 to M16

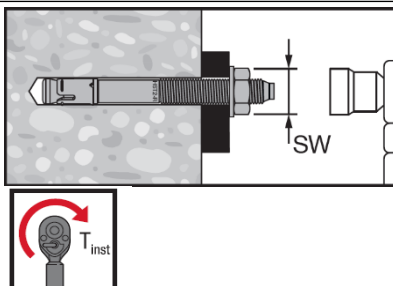


Check setting

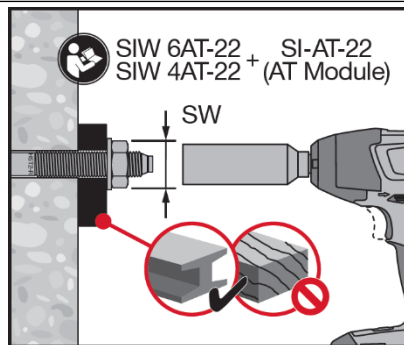


Anchor torquing

a) Torque wrench:
M8 to M16



b) Machine torquing:
M8 to M16



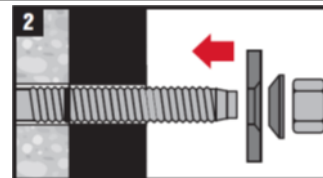
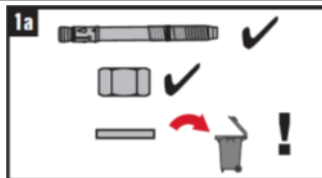
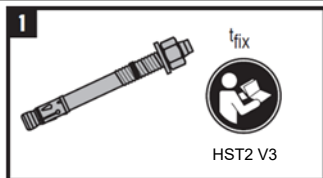
Hilti metal expansion anchor HST2-F V3

Intended Use
Installation instructions

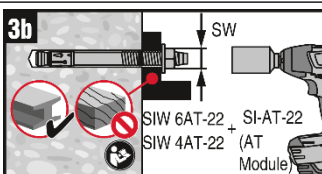
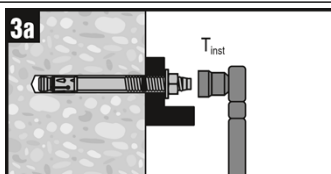
Annex B8

Installation with Filling Set

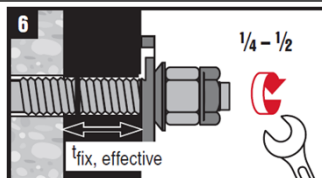
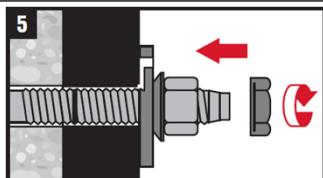
Installation of sealing washer



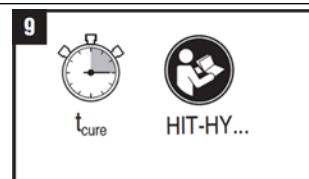
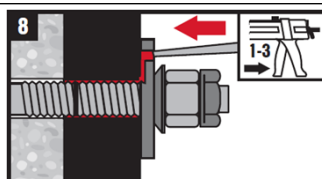
Anchor torquing



Installation of counter nut (optional)



Injection of mortar



Hilti metal expansion anchor HST2-F V3

Intended Use
Installation instructions

Annex B9

Table C1: Characteristic values of resistance under tension load in case of static and quasi-static loading in uncracked concrete C20/25

		M8			M10			M12			M16		
Effective embedment depth	h_{ef} [mm]	30	45	70	40	60	80	50	70	100	65	85	120
Steel failure													
Characteristic resistance	$N_{Rk,s}$ [kN]	16,5			28,0			41,4			82,6		
Partial safety factor	$\gamma_{Ms,N}^{1)}$ [-]	1,40											
Pull-out failure													
HST2-F V3 with Hammer drilling													
Characteristic resistance	$N_{Rk,p}$ [kN]	8,1	13,0	16,0	12,4	18,0	24,0	17,4	26,3	34,0	25,8	35,3	44,0
HST2-F V3 with Diamond coring													
Characteristic resistance	$N_{Rk,p}$ [kN]	6,0	10,5	13,0	10,0	15,3	20,0	17,4	26,3	34,0	25,8	35,3	44,0
Increasing factor for $N_{Rk,p}$ $\psi_c = (f_{ck}/20)^{0,5}$	ψ_c C30/37	1,22											
	ψ_c C40/50	1,41											
	ψ_c C50/60	1,58											

¹⁾ In absence of other national regulations

Hilti metal expansion anchor HST2-F V3

Performances
Characteristic resistance under tension load

Annex C1

Table C1 continued

	M8			M10			M12			M16		
Effective embedment depth h_{ef} [mm]	30	45	70	40	60	80	50	70	100	65	85	120
Concrete cone failure and Splitting failure												
Installation factor γ_{inst} [-]	1,0											
Factor for uncracked concrete $k_1 = k_{ucr,N}$ [-]	11,0											
Spacing $s_{cr,N}$ [mm]	$3 h_{ef}$											
Edge distance $c_{cr,N}$ [mm]	$1,5 h_{ef}$											
Characteristic resistance to splitting $N^0_{Rk,sp}$ [kN]	Min ($N_{Rk,p}$; $N^0_{Rk,c}$) ¹⁾											
Spacing (splitting) $s_{cr,sp}$ [mm]	$2 \cdot c_{cr,sp}$											
Hammer drilled, not cleaned boreholes												
distance (Edge splitting) $c_{cr,sp}$ [mm]	76	96	105	97	146	173	91	142	160	105	168	194
Hammer drilled, cleaned boreholes												
distance (Edge splitting) $c_{cr,sp}$ [mm]	76	96	105	97	146	193	91	142	170	105	168	204
Diamond cored boreholes												
distance (Edge splitting) $c_{cr,sp}$ [mm]	67	85	105	73	122	152	91	142	170	105	168	204

¹⁾ $N^0_{Rk,c}$ according to EN 1992-4:2018

Hilti metal expansion anchor HST2-F V3

Performances
Characteristic resistance under tension load

Annex C2

Table C2: Characteristic values of resistance under shear load in case of static and quasi-static loading

			M8			M10			M12			M16		
Effective embedment depth	h_{ef}	[mm]	30	45	70	40	60	80	50	70	100	65	85	120
Steel failure without lever arm														
Characteristic resistance	$V_{Rk,s}^0$	[kN]	10,6			18,9			29,5			51,0		
Characteristic resistance using Filling Set	$V_{Rk,s}^0$	[kN]	10,6			18,9			29,5			51,0		
Partial safety factor	$\gamma_{Ms,V}^{1)}$	[-]	1,25											
Ductility factor	k_7	[-]	1,0											
Steel failure with lever arm														
Characteristic resistance	$M_{Rk,s}^0$	[Nm]	21,7			48,6			91,7			216		
Partial safety factor	$\gamma_{Ms,V}^{1)}$	[-]	1,25											
Concrete pry-out failure														
Pryout factor	k_8	[-]	2,34			2,55			2,57			2,82		
Installation safety factor	γ_{inst}	[-]	1,00											
Concrete edge failure														
Effective length of anchor in shear loading	$l_f = h_{ef}$	[mm]	30	45	70	40	60	80	50	70	100	65	85	120
Diameter of anchor	d_{nom}	[mm]	8			10			12			16		
Installation safety factor	γ_{inst}	[-]	1,00											

¹⁾ In absence of other national regulations

Hilti metal expansion anchor HST2-F V3

Performances
Characteristic resistance under shear load

Annex C3

Table C3: Displacements under tension and shear loads in case of static and quasi-static loading

			M8			M10			M12			M16		
Displacements under tension loading														
Effective embedment depth	h_{ef}	[mm]	30	45	70	40	60	80	50	70	100	65	85	120
Tension load in uncracked concrete	N	[kN]	7,6			11,4			16,2			21,0		
Corresponding displacement	δ_{N0}	[mm]	0,96			0,31			2,17			2,07		
	$\delta_{N\infty}$	[mm]	1,70			1,28			1,73			1,13		
Displacements under shear loading														
Effective embedment depth	h_{ef}	[mm]	30	45	70	40	60	80	50	70	100	65	85	120
Shear load in cracked and uncracked concrete	V	[kN]	6,1			10,8			16,9			29,1		
Corresponding displacement	δ_{V0}	[mm]	2,28			2,28			2,21			2,41		
	$\delta_{V\infty}$	[mm]	3,42			3,42			3,32			3,62		

Hilti metal expansion anchor HST2-F V3

Performances
Displacements

Annex C4

Table C4: Characteristic tension resistance under fire exposure in uncracked concrete

				M8			M10			M12			M16		
Steel failure															
Effective embedment depth	h_{ef}	[mm]		30	45	70	40	60	80	50	70	100	65	85	120
Characteristic resistance	R30	$N_{Rk,s,fi}$	[kN]	0,4	1,2	1,2	0,9	2,6	2,6	1,7	4,8	4,8	3,1	9,0	9,0
	R60	$N_{Rk,s,fi}$	[kN]	0,3	1,0	1,0	0,8	2,1	2,1	1,3	3,8	3,8	2,4	7,0	7,0
	R90	$N_{Rk,s,fi}$	[kN]	0,3	0,8	0,8	0,6	1,5	1,5	1,1	2,7	2,7	2,0	5,0	5,0
	R120	$N_{Rk,s,fi}$	[kN]	0,2	0,6	0,6	0,5	1,2	1,2	0,8	2,1	2,1	1,6	4,0	4,0
Pullout failure															
Effective embedment depth	h_{ef}	[mm]		30	45	70	40	60	80	50	70	100	65	85	120
Characteristic resistance in concrete \geq C20/25	R30	$N_{Rk,p,fi}$	[kN]	$0,25 \cdot N_{Rk,p}^{1)}$											
	R60	$N_{Rk,p,fi}$	[kN]												
	R90	$N_{Rk,p,fi}$	[kN]												
	R120	$N_{Rk,p,fi}$	[kN]												
Concrete cone failure															
Effective embedment depth	h_{ef}	[mm]		30	45	70	40	60	80	50	70	100	65	85	120
Characteristic resistance in concrete \geq C20/25	R30	$N_{Rk,c,fi}^0$	[kN]	$h_{ef} / 200 \cdot N_{Rk,c}^0 \leq N_{Rk,c}^0$											
	R60	$N_{Rk,c,fi}^0$	[kN]												
	R90	$N_{Rk,c,fi}^0$	[kN]												
	R120	$N_{Rk,c,fi}^0$	[kN]												
Spacing	$s_{cr,N}$	[mm]	$4 h_{ef}$												
	s_{min}	[mm]	40			55			60			70			
Edge distance	$c_{cr,N}$	[mm]	$2 h_{ef}$												
	c_{min}	[mm]	Fire attack from one side: $2 h_{ef}$ Fire attack from more than one side: ≥ 300												

¹⁾ $N_{Rk,p}$ is the characteristic resistance for pull-out failure $N_{Rk,p}$ (see Table C1) under ambient temperature.
In absence of other national regulations the partial safety factor for resistance under fire exposure $\gamma_{M,fi} = 1,0$ is recommended.

Hilti metal expansion anchor HST2-F V3

Performances

Characteristic values of resistance under tension loading under fire exposure in uncracked concrete

Annex C5

Table C5: Characteristic shear resistance under fire exposure in uncracked concrete

			M8			M10			M12			M16			
Steel failure without lever arm															
Effective embedment depth	h_{ef}	[mm]	30	45	70	40	60	80	50	70	100	65	85	120	
Characteristic resistance	R30	$V_{Rk,s,fi}$	[kN]	0,4	1,2	1,2	0,9	2,6	2,6	1,7	4,8	4,8	3,1	9,0	9,0
	R60	$V_{Rk,s,fi}$	[kN]	0,3	1,0	1,0	0,8	2,1	2,1	1,3	3,8	3,8	2,4	7,0	7,0
	R90	$V_{Rk,s,fi}$	[kN]	0,3	0,8	0,8	0,6	1,5	1,5	1,1	2,7	2,7	2,0	5,0	5,0
	R120	$V_{Rk,s,fi}$	[kN]	0,2	0,6	0,6	0,5	1,2	1,2	0,8	2,1	2,1	1,6	4,0	4,0
Steel failure with lever arm															
Effective embedment depth	h_{ef}	[mm]	30	45	70	40	60	80	50	70	100	65	85	120	
Characteristic resistance	R30	$M^0_{Rk,s,fi}$	[Nm]	1,3			3,4			7,5			19,1		
	R60	$M^0_{Rk,s,fi}$	[Nm]	1,0			2,7			5,8			14,8		
	R90	$M^0_{Rk,s,fi}$	[Nm]	0,8			2,0			4,2			10,6		
	R120	$M^0_{Rk,s,fi}$	[Nm]	0,7			1,6			3,3			8,5		
Concrete pryout failure															
Effective embedment depth	h_{ef}	[mm]	30	45	70	40	60	80	50	70	100	65	85	120	
Pryout factor	k_8	[-]	2,34			2,55			2,57			2,82			
Characteristic resistance in concrete \geq C20/25	R30	$V_{Rk,cp,fi}$	[kN]	$k_8 \cdot N_{Rk,c,fi(90)}^1$											
	R60	$V_{Rk,cp,fi}$	[kN]												
	R90	$V_{Rk,cp,fi}$	[kN]												
	R120	$V_{Rk,cp,fi}$	[kN]												
Concrete edge failure															
Concrete edge failure in concrete C20/25 to C50/60 under fire exposure															
$V^0_{Rk,c,fi} = 0,25 \times V^0_{Rk,c}$ (\leq R90)															
$V^0_{Rk,c,fi} = 0,20 \times V^0_{Rk,c}$ (R120)															
with $V^0_{Rk,c}$ = initial value of the characteristic resistance under normal temperature, according EN 1992-4:2018															

¹⁾ $N_{Rk,c,fi(90)}$ and $N_{Rk,c,fi(120)}$ see Annex C5 with $N^0_{Rk,c,fi}$ under fire exposure for 90 or 120 minutes respectively
In absence of other national regulations, the partial safety factor for resistance under fire exposure $\gamma_{M,fi} = 1,0$ is recommended.

Hilti metal expansion anchor HST2-F V3

Performances

Characteristic values of resistance under shear loading under fire exposure in uncracked concrete

Annex C6

Eine vom Bund und den Ländern gemeinsam
getragene Anstalt des öffentlichen Rechts

Europäische Technische
Bewertungsstelle für Bauprodukte



Europäische Technische Bewertung

ETA-21/0510
vom 14. November 2024

Allgemeiner Teil

Technische Bewertungsstelle, die die Europäische Technische Bewertung ausstellt

Deutsches Institut für Bautechnik

Handelsname des Bauprodukts

Hilti Metallspreizdübel HST2-F V3

Produktfamilie,
zu der das Bauprodukt gehört

Kraftkontrolliert spreizender Dübel zur Verankerung in Beton mit variabler Nutzungsdauer von maximal 50 Jahren

Hersteller

Hilti Aktiengesellschaft
Feldkircherstrasse 100
9494 SCHAAN
FÜRSTENTUM LIECHTENSTEIN

Herstellungsbetrieb

Hilti Werke

Diese Europäische Technische Bewertung enthält

23 Seiten, davon 3 Anhänge, die fester Bestandteil dieser Bewertung sind.

Diese Europäische Technische Bewertung wird ausgestellt gemäß der Verordnung (EU) Nr. 305/2011, auf der Grundlage von

EAD 330232-01-0601-v01

Die Europäische Technische Bewertung wird von der Technischen Bewertungsstelle in ihrer Amtssprache ausgestellt. Übersetzungen dieser Europäischen Technischen Bewertung in andere Sprachen müssen dem Original vollständig entsprechen und müssen als solche gekennzeichnet sein.

Diese Europäische Technische Bewertung darf, auch bei elektronischer Übermittlung, nur vollständig und ungekürzt wiedergegeben werden. Nur mit schriftlicher Zustimmung der ausstellenden Technischen Bewertungsstelle kann eine teilweise Wiedergabe erfolgen. Jede teilweise Wiedergabe ist als solche zu kennzeichnen.

Die ausstellende Technische Bewertungsstelle kann diese Europäische Technische Bewertung widerrufen, insbesondere nach Unterrichtung durch die Kommission gemäß Artikel 25 Absatz 3 der Verordnung (EU) Nr. 305/2011.

Besonderer Teil

1 Technische Beschreibung des Produkts

Der Hilti Metallspreizanker HST2-F V3 ist ein Dübel aus feuerverzinktem Stahl, der in ein Bohrloch gesteckt und kraftkontrolliert verankert wird.

Die Produktbeschreibung ist in Anhang A angegeben.

2 Spezifizierung des Verwendungszwecks gemäß dem anwendbaren Europäischen Bewertungsdokument

Von den Leistungen in Abschnitt 3 kann nur ausgegangen werden, wenn der Dübel entsprechend den Angaben und Bedingungen nach Anhang B verwendet wird.

Die Prüf- und Bewertungsmethoden, die dieser Europäischen Technischen Bewertung zu Grunde liegen, führen zur Annahme einer Nutzungsdauer des Dübels von maximal 50 Jahren, abhängig vom Korrosionsschutz und den Umgebungsbedingungen. Die Angabe der Nutzungsdauer kann nicht als Garantie des Herstellers verstanden werden, sondern ist lediglich ein Hilfsmittel zur Auswahl des richtigen Produkts in Bezug auf die angenommene wirtschaftlich angemessene Nutzungsdauer des Bauwerks.

3 Leistung des Produkts und Angabe der Methoden ihrer Bewertung

3.1 Mechanische Festigkeit und Standsicherheit (BWR 1)

Wesentliches Merkmal	Leistung
Charakteristischer Widerstand unter Zugbeanspruchung (statische und quasi-statische Einwirkungen) Methode A	Siehe Anhang C1 und C2
Charakteristischer Widerstand unter Querbeanspruchung (statische und quasi-statische Einwirkungen)	Siehe Anhang C3
Verschiebungen	Siehe Anhang C4
Dauerhaftigkeit	Siehe Anhang B1 - B3

3.2 Brandschutz (BWR 2)

Wesentliches Merkmal	Leistung
Brandverhalten	Klasse A1
Feuerwiderstand	Siehe Anhang C5 und C6

4 Angewandtes System zur Bewertung und Überprüfung der Leistungsbeständigkeit mit der Angabe der Rechtsgrundlage

Gemäß dem Europäischen Bewertungsdokument EAD 330232-01-0601-v01 gilt folgende Rechtsgrundlage: [96/582/EG].

Folgendes System ist anzuwenden: 1

5 Für die Durchführung des Systems zur Bewertung und Überprüfung der Leistungsbeständigkeit erforderliche technische Einzelheiten gemäß anwendbarem Europäischen Bewertungsdokument

Technische Einzelheiten, die für die Durchführung des Systems zur Bewertung und Überprüfung der Leistungsbeständigkeit notwendig sind, sind Bestandteil des Prüfplans, der beim Deutschen Institut für Bautechnik hinterlegt ist.

Ausgestellt in Berlin am 14. November 2024 vom Deutschen Institut für Bautechnik

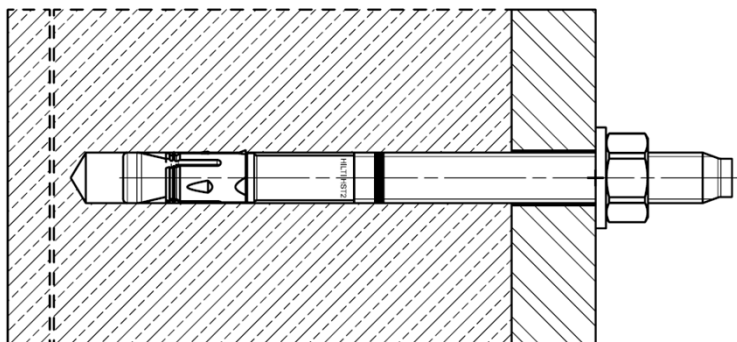
Dipl.-Ing. Beatrix Wittstock
Referatsleiterin

Beglaubigt
Ziegler

Einbauzustand

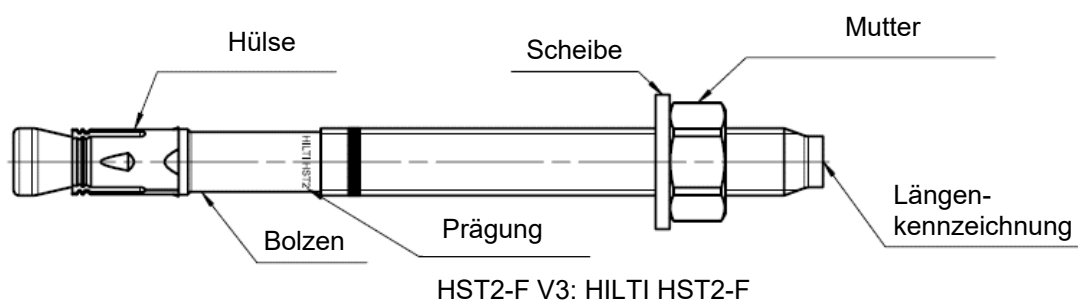
Abbildung A1:

Hilti Metallspreizanker HST2-F V3



Produktbeschreibung und Prägung

Kaltverformte Ausführung HST2-F V3: M8 bis M16



Hilti Metallspreizdübel HST2-F V3

Produktbeschreibung

Einbauzustand, Produkt, Prägung und Kennzeichnung

Anhang A1

Tabelle A1: Längenkennzeichnung

Buchstabe		A	B	C	D	E	f	II
Ankerlänge	≥ [mm]	38,1	50,8	63,5	76,2	88,9	100,0	100,0
	< [mm]	50,8	63,5	76,2	88,9	101,6	100,0	100,0

Buchstabe		F	G	Δ	H	I	J	K
Ankerlänge	≥ [mm]	101,6	114,3	125,0	127,0	139,7	152,4	165,1
	< [mm]	114,3	127,0	125,0	139,7	152,4	165,1	177,8

Buchstabe		L	M	N	O	P	Q	R
Ankerlänge	≥ [mm]	177,8	190,5	203,2	215,9	228,6	241,3	254,0
	< [mm]	190,5	203,2	215,9	228,6	241,3	254,0	279,4

Buchstabe		r	S	T	U	V	W	X
Ankerlänge	≥ [mm]	260,0	279,4	304,8	330,2	355,6	381,0	406,4
	< [mm]	260,0	304,8	330,2	355,6	381,0	406,4	431,8

Buchstabe		Y	Z	AA	BB	CC	DD	EE
Ankerlänge	≥ [mm]	431,8	457,2	482,6	508,0	533,4	558,8	584,2
	< [mm]	457,2	482,6	508,0	533,4	558,8	584,2	609,6

Buchstabe		FF	GG	HH	II	JJ	KK	LL
Ankerlänge	≥ [mm]	609,6	635,0	660,4	685,8	711,2	736,6	762,0
	< [mm]	635,0	660,4	685,8	711,2	736,6	762,0	787,4

Buchstabe		MM	NN	OO	PP	QQ	RR	SS
Ankerlänge	≥ [mm]	787,4	812,8	838,2	863,6	889,0	914,4	939,8
	< [mm]	812,8	838,2	863,6	889,0	914,4	939,8	965,2

Buchstabe		TT	UU	VV
Ankerlänge	≥ [mm]	965,2	990,6	1016,0
	< [mm]	990,6	1016,0	1041,4

Hilti Metallspreizdübel HST2-F V3

Produktbeschreibung
Längenkennzeichnung

Anhang A2

Tabelle A2: Werkstoffe

Bezeichnung	Werkstoff
HST2-F V3 (C-Stahl, feuerverzinkt $\geq 50\mu\text{m}$ gemäß EN ISO 10684:2004 + AC:2009)	
Spreizhülse	Nichtrostender Stahl A2 nach ASTM A 240/A 240M: 2019
Bolzen	C-Stahl, feuerverzinkt, beschichtet, Bruchdehnung ($l_0 = 5d$) $> 8 \%$
Scheibe	C-Stahl, feuerverzinkt
Sechskantmutter	C-Stahl, feuerverzinkt, beschichtet
Verfüll-Set (C-Stahl, mechanisch verzinkt)	
Verschluss Scheibe / Kugelscheibe	C-Stahl, mechanisch verzinkt
Mörtel	
Injektionsmörtel	Injektionsmörtel Hilti HIT-HY...

Tabelle A3: Materialcode zur Identifizierung verschiedener Materialien

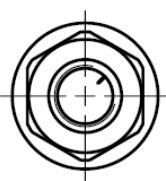
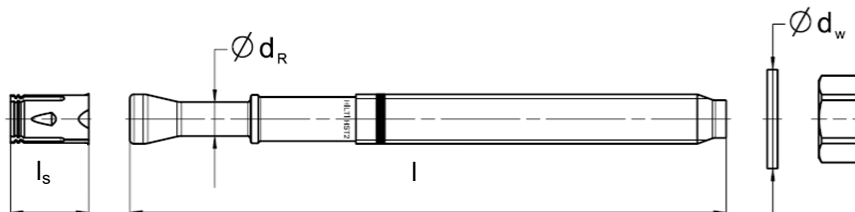
	HST2-F V3
Materialcode	 Buchstabencode mit einer Markierung

Tabelle A4: Abmessungen HST2-F V3

Größe		M8	M10	M12	M16
Maximale Ankerlänge	l_{max} [mm]	230	230	245	245
Schaftdurchmesser am Konus	d_R [mm]	5,65	6,94	8,22	12
Spreizhülslänge	l_S [mm]	13,6	18	19	24,6
Scheibendurchmesser HST2-F V3	$d_W \geq$ [mm]	15,57	19,48	23,48	29,48

HST2-F V3



Hilti Metallspreizdübel HST2-F V3

Produktbeschreibung
Werkstoffe, Abmessungen

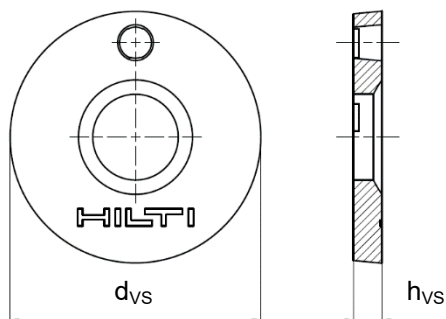
Anhang A3

Verfüll-Set zum Füllen des Ringspalts zwischen Anker und Anbauteil

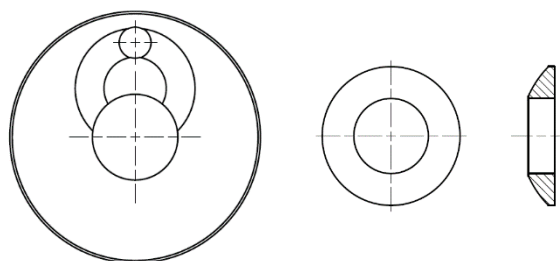
Tabelle A5: Abmessungen des Verfüll-Sets

Größe	M8	M10	M12	M16
Durchmesser der Verschluss-scheibe d_{VS} [mm]	38	42	44	52
Dicke der Verschluss-scheibe h_{VS} [mm]	5			6
Dicke des Hilti Verfüll-Sets h_{fs} [mm]	8	9	10	11

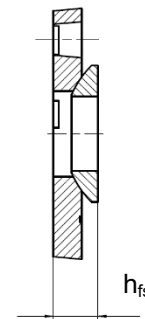
Verschluss-scheibe



Kugelscheibe



Verfüll-Set



Hilti Metallspreizdübel HST2-F V3

Produktbeschreibung
Verfüll-Set

Anhang A4

Spezifikationen des Verwendungszwecks

Beanspruchung der Verankerungen:

- Statische und quasi-statische Beanspruchung: alle Größen
- Brandbeanspruchung: alle Größen

Verankerungsgrund:

- Bewehrter oder unbewehrter verdichteter Normalbeton ohne Fasern gemäß EN 206-1:2013+A1:2016.
- Festigkeitsklassen C20/25 bis C50/60 gemäß EN 206-1:2013+A1:2016.
- Nur ungerissener Beton

Einsatzbedingungen (Umweltbedingungen):

- Bauteile unter den Bedingungen trockener Innenräume und in Außenbereichen.
- Klassifizierung der atmosphärischen Korrosivität, Bestimmung und Schätzung C1-CX gemäß Tabelle B1 bis B3

Bemessung:

- Die Befestigungen müssen unter der Verantwortung eines auf dem Gebiet der Verankerungen und des Betonbaus erfahrenen Ingenieurs bemessen werden.
- Unter Berücksichtigung der zu verankernden Lasten sind prüfbare Berechnungen und Konstruktionszeichnungen anzufertigen. Auf den Konstruktionszeichnungen ist die Lage des Dübels (z. B. Lage des Dübels zur Bewehrung oder zu den Auflagern usw.) anzugeben.
- Die Bemessung der Verankerungen erfolgt in Übereinstimmung mit: EN 1992-4:2018
- Bei Anforderungen an den Brandschutz muss ein lokales Abplatzen der Betondeckung vermieden werden.
- Bei einer effektiven Verankerungstiefe $h_{ef} < 40$ mm ist die Verwendung nur auf statisch unbestimmte Befestigungen (z.B. leichte abgehängte Decken) unter den Bedingungen trockener Innenräume beschränkt.

Einbau:

- Einbau nur durch entsprechend geschultes Personal unter der Aufsicht des Bauleiters.
- Bohren und Reinigen der Bohrlöcher mit den in Anhang B4 angegebenen Methoden
- Der Anker darf nur einmal gesetzt werden.
- Überkopfanwendungen sind zulässig.

Dauerhaftigkeit:

- Variable Lebensdauer nach Tabelle B1

Hilti Metallspreizdübel HST2-F V3	Anhang B1
Verwendungszweck Spezifikationen	

Tabelle B1: Dauerhaftigkeit von feuerverzinkten Überzügen nach EN ISO 10684:2004+AC:2009 für Überzüge mit einer mittleren Dicke von mindestens 50µm

Korrosivitäts-kategorie	Korrosivität	Dauerhaftigkeit [Jahre]
C1	unbedeutend	500
C2	gering	75
C3	mäßig	25
C4	stark	12,5
C5	sehr stark	5
CX	extrem	2

Tabelle B2: Beschreibung typischer Bedingungen in Innenräumen in Bezug auf die Abschätzung der Korrosivitätskategorien gemäß EN ISO 9223:2012-02 Tabelle C.1

Korrosivitäts-kategorie	Korrosivität	Typische Bedingungen im Innenbereich - Beispiele
C1	unbedeutend	Beheizte Räume mit niedriger relativer Luftfeuchte und unbedeutender Luftverunreinigung, z. B. Büros, Schulen, Museen.
C2	gering	Unbeheizte Räume mit schwankender Temperatur und relativer Luftfeuchte. Seltene Kondensation und geringe Luftverunreinigung, z. B. Lager, Sporthallen.
C3	mäßig	Räume mit gelegentlicher Kondensation und mäßiger Luftverunreinigung aus Produktionsprozessen, z. B. Anlagen zur Lebensmittelherstellung, Wäschereien, Brauereien, Molkereien.
C4	stark	Räume mit häufiger Kondensation und hoher Luftverunreinigung aus Produktionsprozessen, z. B. Industrieanlagen, Schwimmbäder.
C5	sehr stark	Räume mit sehr hoher Häufigkeit der Kondensation und/oder hoher Luftverunreinigung aus Produktionsprozessen, z. B. Bergwerke, Hohlräume für industrielle Zwecke, nicht belüftete Hallen in subtropischen und tropischen Klimazonen.
CX	extrem	Räume mit nahezu ständiger Kondensation oder ausgedehnten Belastungszeiten bei extrem hoher Luftfeuchte und/oder Räume mit hoher Luftverunreinigung aus Produktionsprozessen, z. B. nicht belüftete Hallen in feuchttropischen Klimazonen mit eindringender Verunreinigung aus der Außenluft, einschließlich in der Luft enthaltener Chloride und korrosionsfördernden Staubs.

Hilti Metallpreisdübel HST2-F V3

Verwendungszweck
Spezifikationen

Anhang B2

Tabelle B3: Beschreibung typischer Bedingungen im Außenbereich in Bezug auf die Abschätzung der Korrosivitätskategorien gemäß EN ISO 9223:2012-02 Tabelle C.1

Korrosivitäts-kategorie	Korrosivität	Typische Bedingungen im Außenbereich - Beispiele
C1	unbedeutend	Trockene oder kalte Klimazone, atmosphärische Umgebung mit sehr geringer Verunreinigung und kurzer Befeuchtungsdauer, z. B. bestimmte Wüstengebiete, Zentrum der Arktis/Antarktis.
C2	gering	Gemäßigte Klimazone, atmosphärische Umgebung mit geringer Luftverunreinigung ($\text{SO}_2 < 5 \mu\text{g}/\text{m}^3$), z. B. ländliche Gebiete, kleine Städte. Trockene oder kalte Klimazone, atmosphärische Umgebung mit kurzer Befeuchtungsdauer, z. B. Wüsten, subarktische Regionen.
C3	mäßig	Gemäßigte Klimazone, atmosphärische Umgebung mit mäßigen Luftverunreinigungen ($\text{SO}_2: 5 \mu\text{g}/\text{m}^3$ bis $30 \mu\text{g}/\text{m}^3$), oder mit geringer Beeinflussung durch Chloride, z. B. Stadtgebiete, Küstenbereiche mit geringen Ablagerungen von Chloriden. Subtropische und tropische Klimazone, Atmosphäre mit geringen Verunreinigungen.
C4	stark	Gemäßigte Klimazone, atmosphärische Umgebung mit hoher Luftverunreinigung ($\text{SO}_2: 30 \mu\text{g}/\text{m}^3$ bis $90 \mu\text{g}/\text{m}^3$) oder mit wesentlicher Beeinflussung durch Chloride, z. B. Stadtgebiete mit Luftverunreinigungen, Industriegebiete, Küstenbereiche, nicht im Bereich von Salzwasser-Sprühnebel, starke Belastung durch Enteisungssalze. Subtropische und tropische Klimazone, Atmosphäre mit mäßiger Verunreinigung.
C5	sehr stark	Gemäßigte und subtropische Klimazone, atmosphärische Umgebung mit sehr hoher Luftverunreinigung ($\text{SO}_2: 90 \mu\text{g}/\text{m}^3$ bis $250 \mu\text{g}/\text{m}^3$), und/oder mit signifikanter Beeinflussung durch Chloride, z. B. Industriegebiete, Küstenbereiche, geschützte Stellen an der Küstenlinie.
CX	extrem	Subtropische und tropische Klimazone (sehr lange Befeuchtungsdauer), atmosphärische Umgebung mit einer sehr hohen Luftverunreinigung durch SO_2 (mehr als $250 \mu\text{g}/\text{m}^3$) einschließlich begleitender und produktionsbedingter Verunreinigungen und/oder stark beeinflusst durch Chloride, z. B. Gebiete mit intensiver industrieller Nutzung mit extrem hoher Verunreinigung, Küsten- und Offshore-Bereiche, zufälliger Kontakt mit Salzsprühnebel.

Hilti Metallspreizdübel HST2-F V3

Verwendungszweck
Spezifikationen

Anhang B3

Tabelle B4: Spezifikationen des Verwendungszwecks

Beanspruchung der Verankerungen:	M8	M10	M12	M16
Statische und quasi-statische Beanspruchung in gerissenem und ungerissenem Beton – Hammerbohren und Diamantbohren	✓	✓	✓	✓
Brandbeanspruchung - Hammerbohren und Diamantbohren	✓	✓	✓	✓

Tabelle B5: Bohrverfahren



Beanspruchung der Verankerungen:	M8	M10	M12	M16
Hammerbohren (HD) 	✓	✓	✓	✓
<ul style="list-style-type: none"> Diamantbohrverfahren (DD) mit: DD EC-1 Diamantbohrgerät und DD-C ... TS/TL Bohrkronen oder DD-C ... T2/T4 Bohrkronen 				
<ul style="list-style-type: none"> DD 30-W Diamantbohrgerät und C+ ... SPX-T Abrasivbohrkronen  DD 150-U Diamantbohrgerät und SPX-L, SPX-L Abrasiv- oder SPX-L Handbohrkronen 	✓	✓	✓	✓

Tabelle B6: Bohrlochreinigung





Manuelle Reinigung (MC): Hilti Handpumpe zum Ausblasen von Bohrlöchern	
Druckluftreinigung (CAC): Ausblasdüse mit einem Durchmesser 3,5 mm	
Nicht-Reinigung (NC): Nicht-Reinigung durch dreifaches Lüften	-

Tabelle B7: Anziehen des Metallspreizankers

HST2-F V3	M8	M10	M12	M16
Drehmomentschlüssel 	✓	✓	✓	✓
Maschinensetzen mit Hilti SIW Schlagschrauber und adaptivem SI-AT Anzugsmodul 				
<ul style="list-style-type: none"> SIW 4AT-22 mit SI-AT-22¹⁾ 	✓	✓	✓	-
<ul style="list-style-type: none"> SIW 6AT-22 mit SI-AT-22¹⁾ 	-	-	✓	✓

¹⁾ Gleichwertige Kombination aus Hilti SIW + SI-AT tool, die mit diesem Ankertyp kompatibel ist, kann verwendet werden.

Hilti Metallspreizdübel HST2-F V3

Verwendungszweck
Spezifikationen

Anhang B4

Tabelle B8: Montagekennwerte für HST2-F V3

HST2-F V3		M8			M10			M12			M16		
Bohrernennendurchmesser	d_0 [mm]	8			10			12			16		
Bohrerschneidendurchmesser	d_{cut} [mm]	8,45			10,45			12,50			16,50		
Maximaler Durchmesser des Durchgangslochs im Anbauteil ¹⁾	d_f [mm]	9			12			14			18		
Effektive Verankerungstiefe	h_{ef} [mm]	30	45	70	40	60	80	50	70	100	65	85	120
Nominale Verankerungstiefe	h_{nom} [mm]	$h_{ef} + 10$			$h_{ef} + 10$			$h_{ef} + 13$			$h_{ef} + 13$		
Bohrlochtiefe (hammergebohrt, nicht gereinigt)	$h_1 \geq$ [mm]	$h_{ef} + 30$			$h_{ef} + 30$			$h_{ef} + 33$			$h_{ef} + 33$		
Bohrlochtiefe (hammergebohrt, gereinigt)	$h_1 \geq$ [mm]	$h_{ef} + 15$			$h_{ef} + 15$			$h_{ef} + 21$			$h_{ef} + 21$		
Bohrlochtiefe (Diamantbohren)	$h_1 \geq$ [mm]	$h_{ef} + 20$			$h_{ef} + 20$			$h_{ef} + 23$			$h_{ef} + 23$		
Mindestbauteildicke ²⁾	$h_{min} \geq$ [mm]	$\max(100; 1,5 \cdot h_{ef})$			$\max(120; 1,5 \cdot h_{ef})$			$\max(140; 1,5 \cdot h_{ef})$			$\max(160; 1,5 \cdot h_{ef})$		
Mindestbauteildicke unterhalb der Bohrlochsohle ²⁾	$h_b \geq$ [mm]	21			27			32			34		
Schlüsselweite	SW [mm]	13			17			19			24		
Installationsdrehmoment HST2-F V3	T_{inst} [Nm]	25			40			50			110		

¹⁾ Zur Auslegung größerer Bohrungen im Anbauteil siehe EN 1992-4:2018.

²⁾ Unter Berücksichtigung der Mindestbauteildicke unterhalb der Bohrlochsohle: $h_{min} \geq h_1 + h_b$

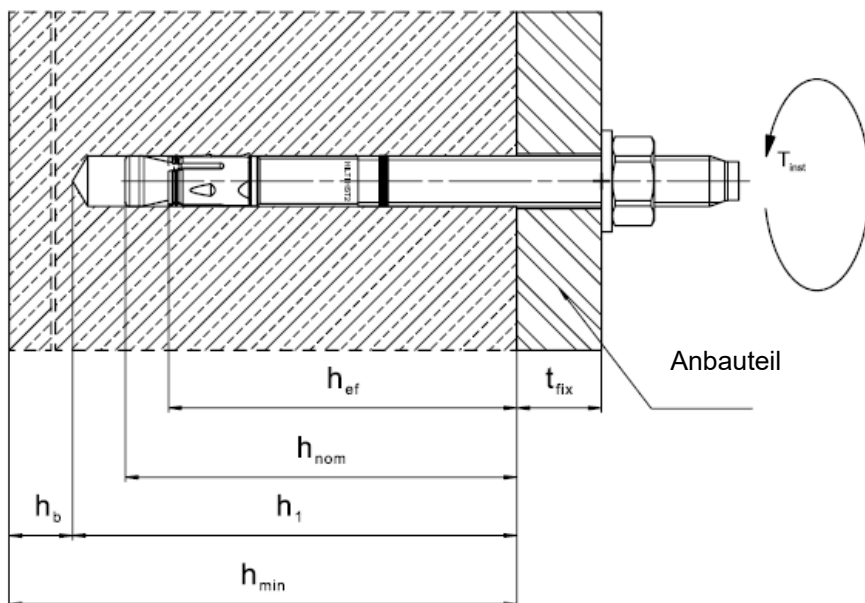
Hilti Metallspreizdübel HST2-F V3

Verwendungszweck
Montagekennwerte

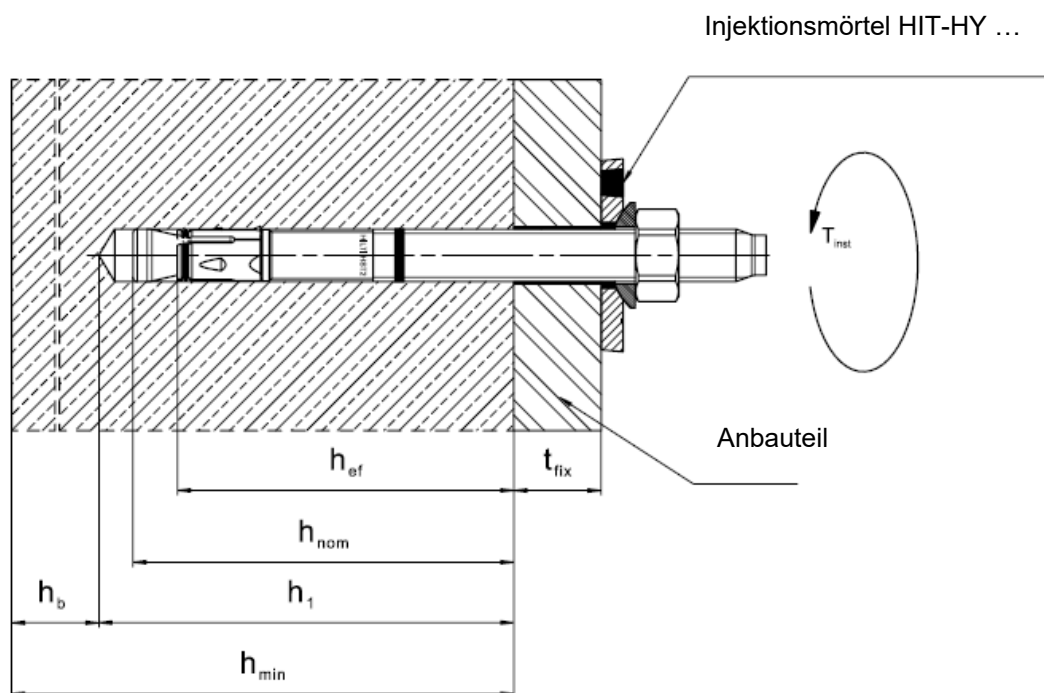
Anhang B5

Setzpositionen für HST2-F V3

Ohne Verfüll-Set zum Verfüllen des Ringspalts zwischen Anker und Anbauteil



Mit Verfüll-Set zum Verfüllen des Ringspalts zwischen Anker und Anbauteil



Hilti Metallspreizdübel HST2-F V3

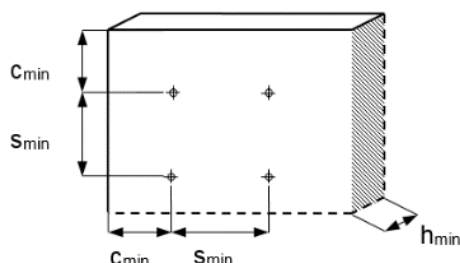
Verwendungszweck
Montagekennwerte, Setzposition

Anhang B6

Tabelle B9: Minimaler Achs- und Randabstand für HST2-F V3

			M8			M10			M12			M16		
Effektive Verankerungstiefe	h_{ef}	[mm]	30	45	70	40	60	80	50	70	100	65	85	120
Hammergebohrt, nicht gereinigt														
Mindestbauteildicke	h_{min}	[mm]	100	100	125	120	120	140	140	140	165	160	160	190
Minimaler Achsabstand ¹⁾	s_{min}	[mm]	40			55			60			70		
	for $c \geq$	[mm]	55	55	45	75	75	60	75	75	65	85	85	75
Minimaler Randabstand ¹⁾	c_{min}	[mm]	45			55			55			70		
	for $s \geq$	[mm]	65	60	40	105	105	65	125	110	95	105	105	80
Hammergebohrt, gereinigt														
Mindestbauteildicke	h_{min}	[mm]	100	100	110	120	120	125	140	140	155	160	160	180
Minimaler Achsabstand ¹⁾	s_{min}	[mm]	40			55			60			70		
	for $c \geq$	[mm]	55	55	50	75	75	70	75	75	65	85	85	75
Minimaler Randabstand ¹⁾	c_{min}	[mm]	45			55			55			70		
	for $s \geq$	[mm]	65	60	50	105	105	95	125	110	115	105	105	95
Diamantbohren														
Mindestbauteildick	h_{min}	[mm]	100	100	115	120	120	130	140	140	155	160	160	180
Minimaler Achsabstand ¹⁾	s_{min}	[mm]	40			55			60			70		
	for $c \geq$	[mm]	55	55	45	75	75	65	75	75	65	85	85	75
Minimaler Randabstand ¹⁾	c_{min}	[mm]	45			55			55			70		
	for $s \geq$	[mm]	65	60	40	105	105	85	125	110	115	105	105	95

¹⁾ Lineare Interpolation für s_{min} und c_{min} zulässig



Hilti Metallspreizdübel HST2-F V3

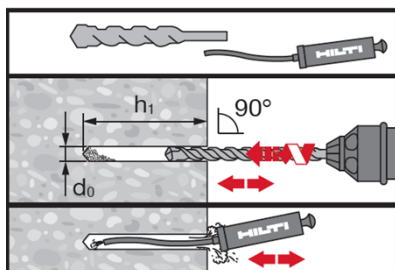
Verwendungszweck
Minimaler Achsabstand und minimaler Randabstand

Anhang B7

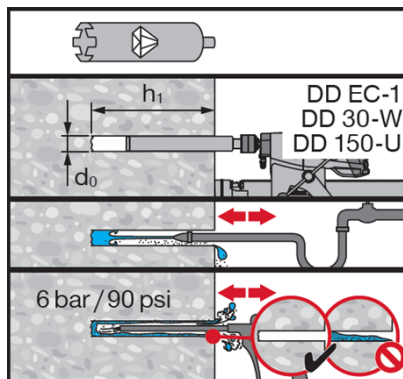
Montageanweisung

Bohren und Reinigen

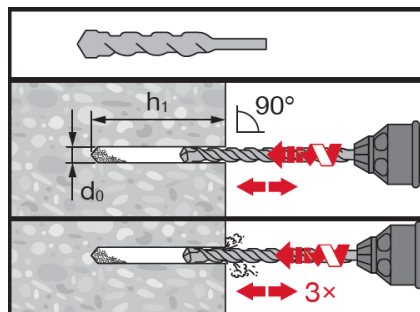
a) Hammerbohren (HD):
M8 bis M16



b) Diamantbohren (DD):
M8 bis M16

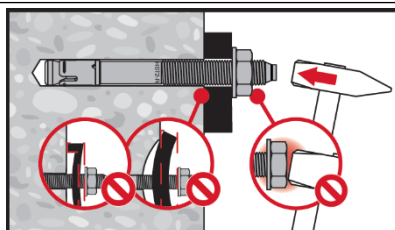


c) Hammerbohren ungereinigt
(HD NC): M8 bis M16

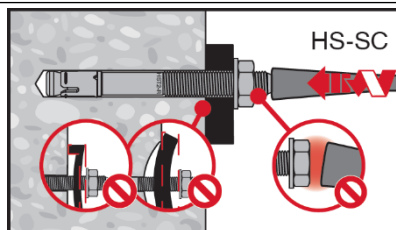


Setzen des Dübels

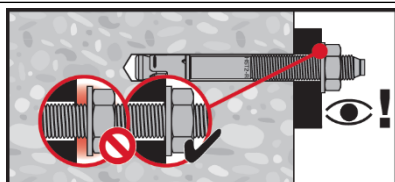
a) Setzen mit Hammer:
M8 bis M16



b) Maschinensetzen (Setzwerkzeug):
M8 bis M16

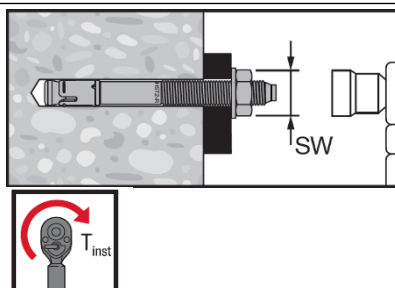


Kontrolle des Setzvorgangs

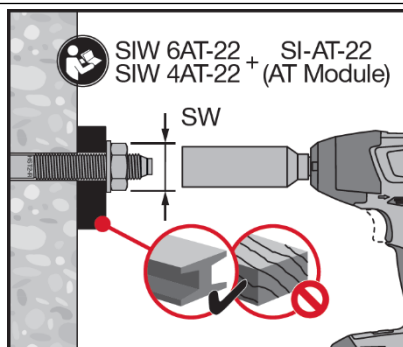


Anziehen des Dübels

a) Drehmomentschlüssel:
M8 bis M16



b) Maschinenanzug:
M8 bis M16



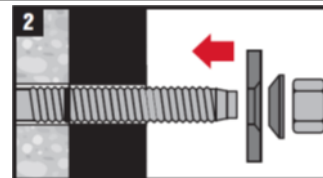
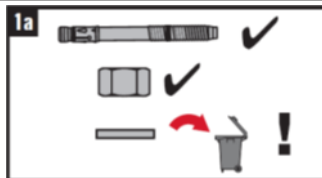
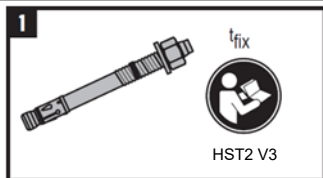
Hilti Metallspreizdübel HST2-F V3

Verwendungszweck
Montageanweisungen

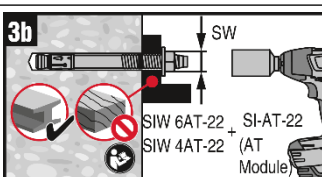
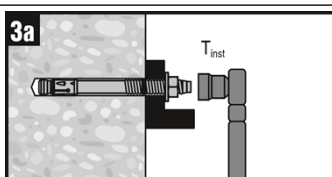
Anhang B8

Einbau mit Verfüll-Set

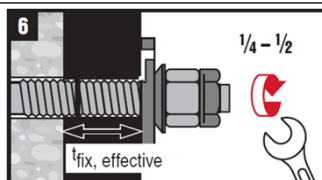
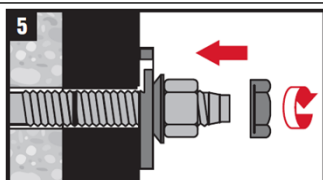
Einbau der Verschlusscheibe



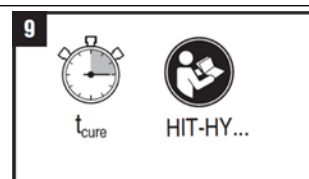
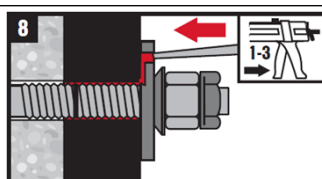
Anziehen des Dübels



Einbau der Kontermutter (optional)



Injektion des Mörtels



Hilti Metallspreizdübel HST2-F V3

Verwendungszweck
Montageanweisungen

Anhang B9

Tabelle C1: Charakteristische Werte der Zugtragfähigkeit bei statischer und quasi-statischer Beanspruchung in ungerissemem Beton C20/25

		M8			M10			M12			M16		
Effektive Verankerungstiefe	h_{ef} [mm]	30	45	70	40	60	80	50	70	100	65	85	120
Stahlversagen													
Charakteristische Tragfähigkeit	$N_{Rk,s}$ [kN]	16,5			28,0			41,4			82,6		
Teilsicherheitsbeiwert	$\gamma_{Ms,N}^{1)}$ [-]	1,40											
Herausziehen													
HST2-F V3 mit Hammerbohren													
Charakteristische Tragfähigkeit	$N_{Rk,p}$ [kN]	8,1	13,0	16,0	12,4	18,0	24,0	17,4	26,3	34,0	25,8	35,3	44,0
HST2-F V3 mit Diamantbohren													
Charakteristische Tragfähigkeit	$N_{Rk,p}$ [kN]	6,0	10,5	13,0	10,0	15,3	20,0	17,4	26,3	34,0	25,8	35,3	44,0
Erhöhungsfaktor für $N_{Rk,p}$ (gerissener und ungerissener Beton)	ψ_c C30/37	1,22											
	ψ_c C40/50	1,41											
	$\psi_c = (f_{ck}/20)^{0,5}$	ψ_c C50/60	1,58										

1) Sofern andere nationale Regelungen fehlen.

Hilti Metallspreizdübel HST2-F V3

Leistungen
Charakteristische Zugtragfähigkeit

Anhang C1

Tabelle C1 fortgesetzt

			M8			M10			M12			M16		
Effektive Verankerungstiefe	h_{ef}	[mm]	30	45	70	40	60	80	50	70	100	65	85	120
Betonausbruch und Spalten														
Montagesicherheitsbeiwert	γ_{inst}	[-]	1,0											
Faktor für ungerissenen Beton	$k_1 = k_{ucr,N}$	[-]	11,0											
Achsabstand	$s_{cr,N}$	[mm]	$3 h_{ef}$											
Randabstand	$c_{cr,N}$	[mm]	$1,5 h_{ef}$											
Charakteristische Tragfähigkeit	$N^0_{Rk,sp}$	[kN]	Min ($N_{Rk,p}$; $N^0_{Rk,c}$) ¹⁾											
Achsabstand (Spalten)	$s_{cr,sp}$	[mm]	$2 \cdot c_{cr,sp}$											
Hammergebohrt, nicht gereinigt														
Randabstand (Spalten)	$c_{cr,sp}$	[mm]	76	96	105	97	146	173	91	142	160	105	168	194
Hammergebohrt, gereinigt														
Randabstand (Spalten)	$c_{cr,sp}$	[mm]	76	96	105	97	146	193	91	142	170	105	168	204
Diamantbohren														
Randabstand (Spalten)	$c_{cr,sp}$	[mm]	67	85	105	73	122	152	91	142	170	105	168	204

¹⁾ $N^0_{Rk,c}$ gemäß EN 1992-4:2018

Hilti Metallspreizdübel HST2-F V3

Leistungen
Charakteristische Zugtragfähigkeit

Anhang C2

Tabelle C2: Charakteristische Werte der Quertragfähigkeit bei statischer und quasi-statischer Beanspruchung

			M8			M10			M12			M16		
Effektive Verankerungstiefe	h_{ef}	[mm]	30	45	70	40	60	80	50	70	100	65	85	120
Stahlversagen ohne Hebelarm														
Charakteristische Tragfähigkeit	$V_{Rk,s}^0$	[kN]	10,6			18,9			29,5			51,0		
Charakteristische Tragfähigkeit bei Verwendung des Verfüll-Sets	$V_{Rk,s}^0$	[kN]	10,6			18,9			29,5			51,0		
Teilsicherheitsbeiwert	$\gamma_{Ms,V}^{1)}$	[-]	1,25											
Duktilitätsfaktor	k_7	[-]	1,0											
Stahlversagen mit Hebelarm														
Charakteristisches Biegemoment	$M_{Rk,s}^0$	[Nm]	21,7			48,6			91,7			216		
Teilsicherheitsbeiwert	$\gamma_{Ms,V}^{1)}$	[-]	1,25											
Betonausbruch auf der lastabgewandten Seite														
Pryout-Faktor	k_8	[-]	2,34			2,55			2,57			2,82		
Montagesicherheitsbeiwert	γ_{inst}	[-]	1,00											
Betonkantenbruch														
Wirksame Ankerlänge bei Querkraft	$l_f = h_{ef}$	[mm]	30	45	70	40	60	80	50	70	100	65	85	120
Außendurchmesser des Dübels	d_{nom}	[mm]	8			10			12			16		
Montagesicherheitsbeiwert	γ_{inst}	[-]	1,00											

1) Sofern andere nationale Regelungen fehlen.

Hilti Metallspreizdübel HST2-F V3

Leistungen
Charakteristische Quertragfähigkeit

Anhang C3

Tabelle C3: Verschiebungen unter Zugkraft und Querkraft bei statischer und quasi-statischer Beanspruchung

			M8			M10			M12			M16		
Verschiebungen unter Zugkraft														
Effektive Verankerungstiefe	h_{ef}	[mm]	30	45	70	40	60	80	50	70	100	65	85	120
Zuglast in ungerissenem Beton	N	[kN]	7,6			11,4			16,2			21,0		
Zugehörige Verschiebung	δ_{N0}	[mm]	0,96			0,31			2,17			2,07		
	$\delta_{N\infty}$	[mm]	1,70			1,28			1,73			1,13		
Verschiebungen unter Querkraft														
Effektive Verankerungstiefe	h_{ef}	[mm]	30	45	70	40	60	80	50	70	100	65	85	120
Querlast in gerissenem und ungerissenem Beton	V	[kN]	6,1			10,8			16,9			29,1		
Zugehörige Verschiebung	δ_{V0}	[mm]	2,28			2,28			2,21			2,41		
	$\delta_{V\infty}$	[mm]	3,42			3,42			3,32			3,62		

Hilti Metallspreizdübel HST2-F V3

Leistungen
Verschiebungen

Anhang C4

Tabelle C4: Charakteristische Werte der Zugtragfähigkeit unter Brandbeanspruchung in ungerissenem Beton

				M8			M10			M12			M16		
Stahlversagen															
Effektive Verankerungstiefe	h_{ef}	[mm]		30	45	70	40	60	80	50	70	100	65	85	120
Charakteristische Tragfähigkeit	R30	$N_{Rk,s,fi}$	[kN]	0,4	1,2	1,2	0,9	2,6	2,6	1,7	4,8	4,8	3,1	9,0	9,0
	R60	$N_{Rk,s,fi}$	[kN]	0,3	1,0	1,0	0,8	2,1	2,1	1,3	3,8	3,8	2,4	7,0	7,0
	R90	$N_{Rk,s,fi}$	[kN]	0,3	0,8	0,8	0,6	1,5	1,5	1,1	2,7	2,7	2,0	5,0	5,0
	R120	$N_{Rk,s,fi}$	[kN]	0,2	0,6	0,6	0,5	1,2	1,2	0,8	2,1	2,1	1,6	4,0	4,0
Herausziehen															
Effektive Verankerungstiefe	h_{ef}	[mm]		30	45	70	40	60	80	50	70	100	65	85	120
Charakteristische Tragfähigkeit in Beton $\geq C20/25$	R30	$N_{Rk,p,fi}$	[kN]	$0,25 \cdot N_{Rk,p}^{1)}$											
	R60	$N_{Rk,p,fi}$	[kN]												
	R90	$N_{Rk,p,fi}$	[kN]												
	R120	$N_{Rk,p,fi}$	[kN]												
Betonausbruch															
Effektive Verankerungstiefe	h_{ef}	[mm]		30	45	70	40	60	80	50	70	100	65	85	120
Charakteristische Tragfähigkeit in Beton $\geq C20/25$	R30	$N^0_{Rk,c,fi}$	[kN]	$h_{ef} / 200 \cdot N^0_{Rk,c} \leq N^0_{Rk,c}$											
	R60	$N^0_{Rk,c,fi}$	[kN]												
	R90	$N^0_{Rk,c,fi}$	[kN]												
	R120	$N^0_{Rk,c,fi}$	[kN]												
Achsabstand	$s_{cr,N}$	[mm]	$4 h_{ef}$												
	s_{min}	[mm]	40			55			60			70			
Randabstand	$c_{cr,N}$	[mm]	$2 h_{ef}$												
	c_{min}	[mm]	Brandbeanspruchung von einer Seite: $2 h_{ef}$ Brandbeanspruchung von mehr als einer Seite: ≥ 300												

¹⁾ $N_{Rk,p}$ ist die charakteristische Tragfähigkeit bei Herausziehen $N_{Rk,p}$ (siehe Tabelle C1) bei Umgebungstemperatur.

Sofern andere nationale Regelungen fehlen, wird der Teilsicherheitsbeiwert unter Brandbeanspruchung $\gamma_{M,fi} = 1,0$ empfohlen.

Hilti Metallspreizdübel HST2-F V3

Leistungen

Charakteristische Werte der Zugtragfähigkeit unter Brandbeanspruchung in ungerissenem Beton

Anhang C5

Tabelle C5: Charakteristische Werte der Quertragfähigkeit unter Brandbeanspruchung in ungerissenem Beton

				M8			M10			M12			M16		
Stahlversagen ohne Hebelarm															
Effektive Verankerungstiefe	h_{ef}	[mm]		30	45	70	40	60	80	50	70	100	65	85	120
Charakteristische Tragfähigkeit	R30	$V_{Rk,s,fi}$	[kN]	0,4	1,2	1,2	0,9	2,6	2,6	1,7	4,8	4,8	3,1	9,0	9,0
	R60	$V_{Rk,s,fi}$	[kN]	0,3	1,0	1,0	0,8	2,1	2,1	1,3	3,8	3,8	2,4	7,0	7,0
	R90	$V_{Rk,s,fi}$	[kN]	0,3	0,8	0,8	0,6	1,5	1,5	1,1	2,7	2,7	2,0	5,0	5,0
	R120	$V_{Rk,s,fi}$	[kN]	0,2	0,6	0,6	0,5	1,2	1,2	0,8	2,1	2,1	1,6	4,0	4,0
Stahlversagen mit Hebelarm															
Effektive Verankerungstiefe	h_{ef}	[mm]		30	45	70	40	60	80	50	70	100	65	85	120
Charakteristische Tragfähigkeit	R30	$M_{Rk,s,fi}^0$	[Nm]	1,3			3,4			7,5			19,1		
	R60	$M_{Rk,s,fi}^0$	[Nm]	1,0			2,7			5,8			14,8		
	R90	$M_{Rk,s,fi}^0$	[Nm]	0,8			2,0			4,2			10,6		
	R120	$M_{Rk,s,fi}^0$	[Nm]	0,7			1,6			3,3			8,5		
Betonausbruch auf der lastabgewandten Seite															
Effektive Verankerungstiefe	h_{ef}	[mm]		30	45	70	40	60	80	50	70	100	65	85	120
Pryout-Faktor	k_8	[-]		2,34			2,55			2,57			2,82		
Charakteristische Tragfähigkeit in Beton $\geq C20/25$	R30	$V_{Rk,cp,fi}$	[kN]	$k_8 \cdot N_{Rk,c,fi(90)}^1$											
	R60	$V_{Rk,cp,fi}$	[kN]												
	R90	$V_{Rk,cp,fi}$	[kN]												
	R120	$V_{Rk,cp,fi}$	[kN]												
				$k_8 \cdot N_{Rk,c,fi(120)}^1$											
Betonkantenbruch															
Die charakteristische Tragfähigkeit in Beton C20/25 bis C50/60 unter Brandbeanspruchung wird ermittelt mit:															
$V_{Rk,c,fi}^0 = 0,25 \times V_{Rk,c}^0 \quad (\leq R90)$															
$V_{Rk,c,fi}^0 = 0,20 \times V_{Rk,c}^0 \quad (R120)$															
mit $V_{Rk,c}^0$ = Wert der charakteristischen Tragfähigkeit bei Umgebungstemperatur, gemäß EN 1992-4:2018															

¹⁾ $N_{Rk,c,fi(90)}$ und $N_{Rk,c,fi(120)}$ siehe Anhang C5 mit $N_{Rk,c,fi}^0$ bei Brandeinwirkung für 90 bzw. 120 Minuten
Sofern andere nationale Regelungen fehlen, wird der Teilsicherheitsbeiwert unter Brandbeanspruchung $\gamma_{M,fi} = 1,0$ empfohlen.

Hilti Metallspreizdübel HST2-F V3

Leistungen

Charakteristische Werte der Quertragfähigkeit unter Brandbeanspruchung in ungerissenem Beton

Anhang C6